

SAFETY INSTRUCTIONS



SAFETY INSTRUCTIONS



0, 4, 5b, 6, 7, 8, 9, 10, 11, 13, 15, 20, 23,
25, 28



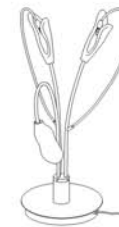
PAULMANN LICHT GmbH
Quezinger Feld 2 • D-31832 Springe
www.Paulmann.com

+49 (0) 5041 998 389

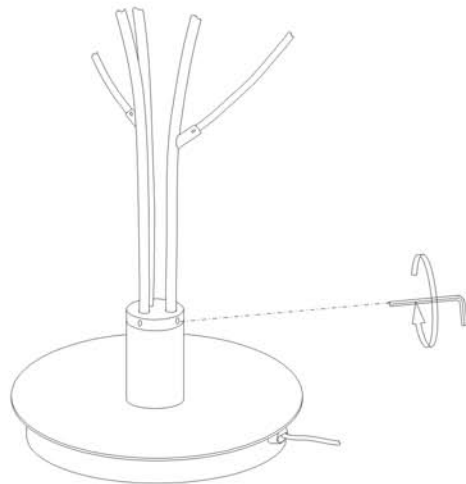
7⁰⁰ - 20⁰⁰

Mon. - Fri.

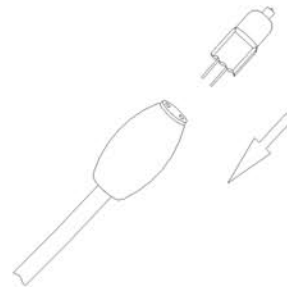
3x20W



A



B



C

