



Safety Instructions

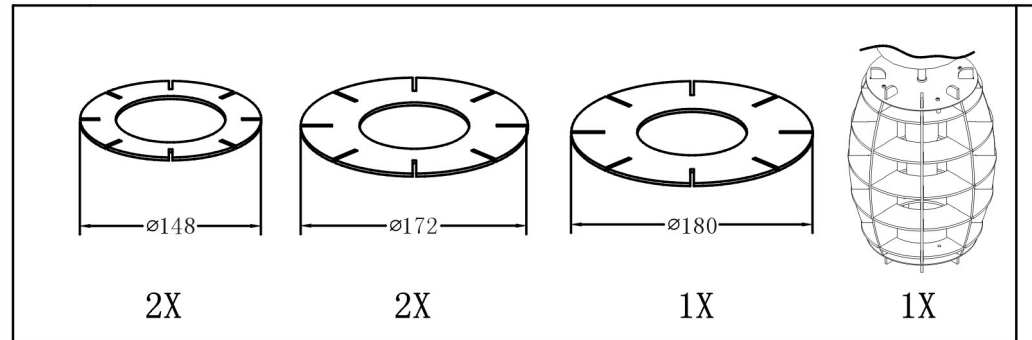
0,6,7,22,26,27,29



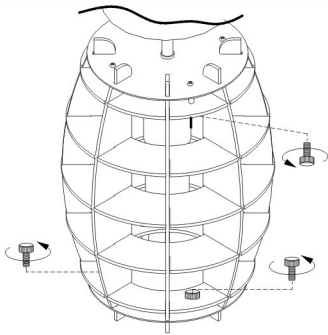
Paulmann Licht GmbH
Quezinger Feld 2
D-31832 Springe
www.paulmann.com

+49 (0) 5041 998 389

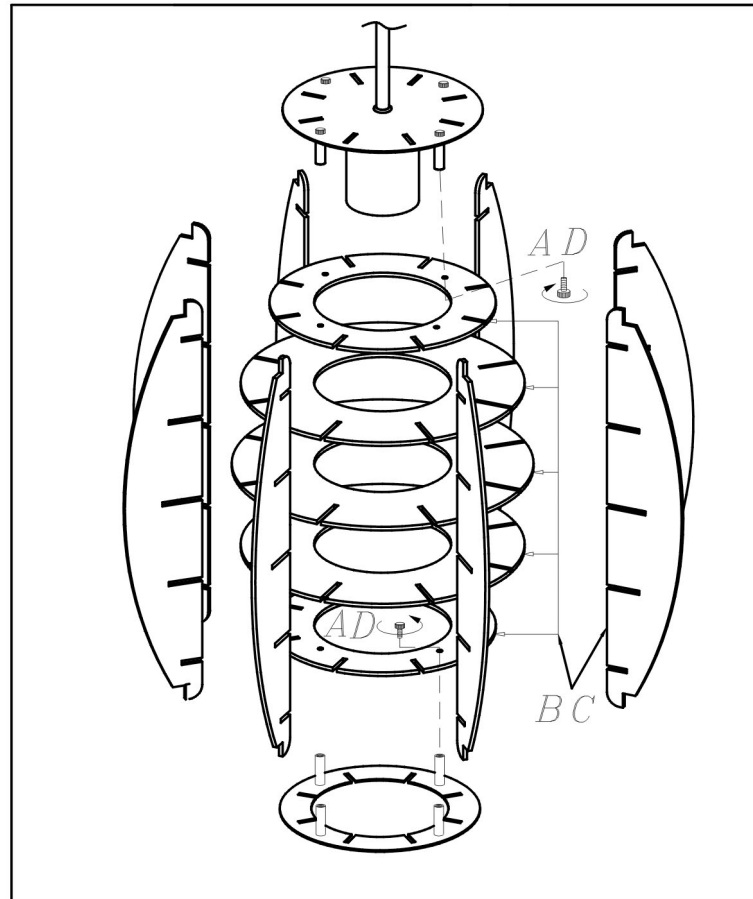
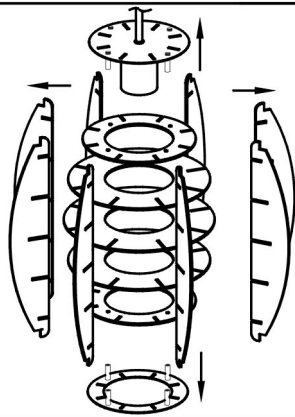
Mon.-Do. ☎ 7⁰⁰-20⁰⁰
Fr. ☎ 7⁰⁰-17⁰⁰



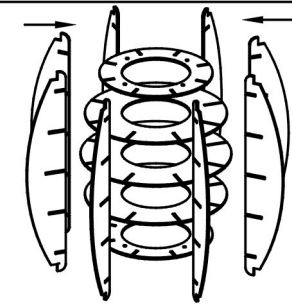
A



B



C



D

