

SAFETY INSTRUCTIONS



SAFETY INSTRUCTIONS





6, 7, 8, 9, 11, 15, 22, 23



PAULMANN LICHT GmbH
Quezinger Feld 2 • D-31832 Springe
www.paulmann.com

 +49 (0) 5041 998 389

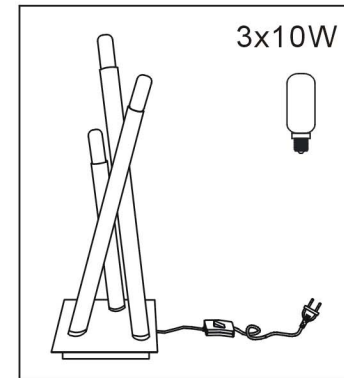


 7⁰⁰-20⁰⁰ 

Mo. - Do.

 7⁰⁰-17⁰⁰ 

Fr.



A

