


**SAFETY INSTRUCTIONS**

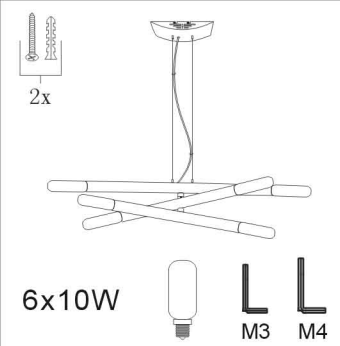


0, 1, 2, 4, 6, 7, 8, 9, 11, 15, 22.

**PAULMANN LICHT GmbH**  
Quezinger Feld 2 • D-31832 Springe  
[www.paulmann.com](http://www.paulmann.com)  
+49 (0) 5041 998 389

**INFO-LINE**

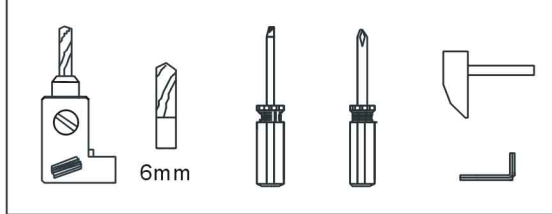
Mo. - Do. 7<sup>00</sup>-20<sup>00</sup>  
Fr. 7<sup>00</sup>-17<sup>00</sup>



2x

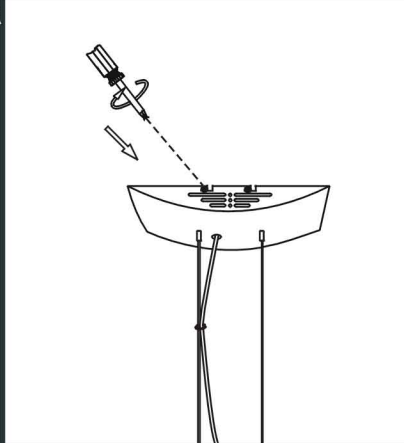
6x10W

M3 M4

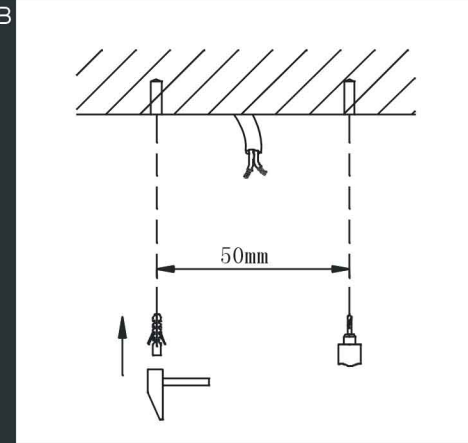


6mm

**A**

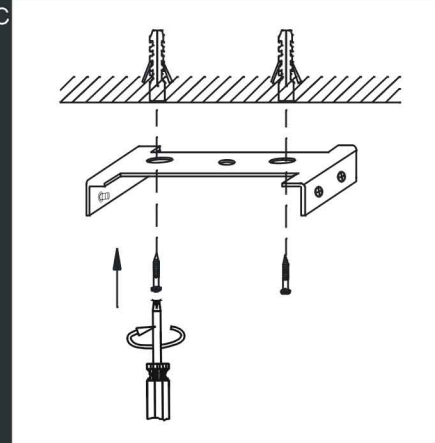


**B**

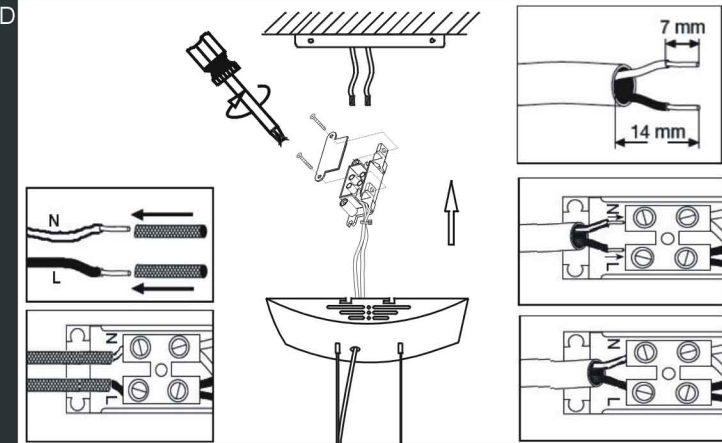


50mm

**C**



**D**



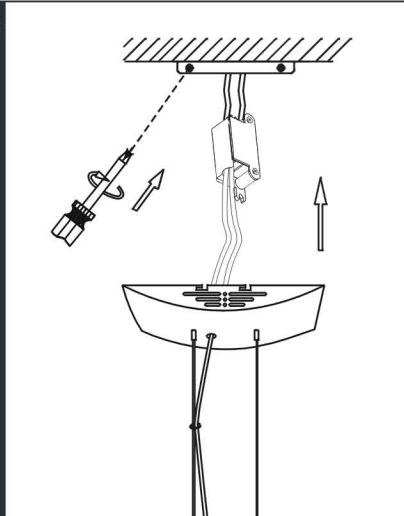
7 mm

14 mm

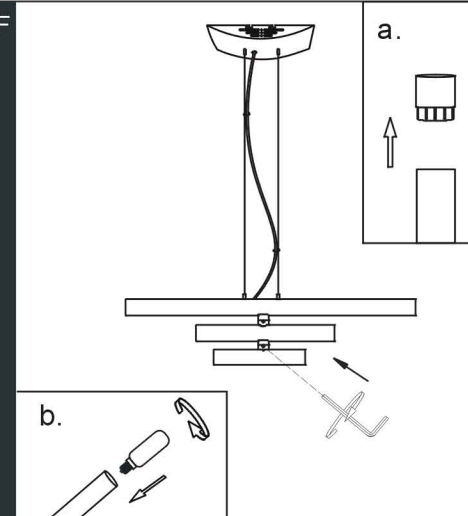
N

L

**E**



**F**



a.

b.

