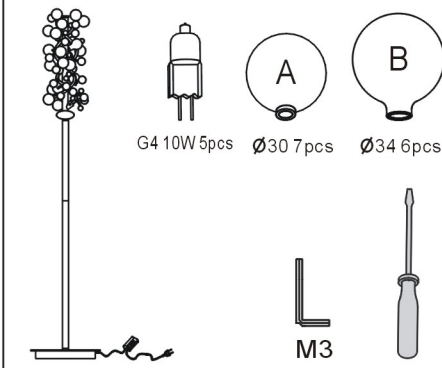


 **Safety Instructions**
0, 1, 4, 5b, 6, 7, 8, 9, 11, 12,
15, 20, 22, 23, 28

 **Paulmann Licht GmbH**
Quezinger Feld 2
D-31832 Springe
www.paulmann.com
☎ +49 (0) 5041 998 389
Mon.-Do. ☉ 7⁰⁰-20⁰⁰
Fr. ☉ 7⁰⁰-17⁰⁰



G4 10W 5pcs Ø30 7pcs Ø34 6pcs
M3

