

## Safety Instructions



0,1,4,6,7,8,9,  
11,15,23,26,27



Paulmann Licht GmbH  
31832 Springe / Germany  
www.paulmann.com

+49 (0) 5041 998 389

Mon. - Do. 7<sup>00</sup> - 20<sup>00</sup>  
Fr. 7<sup>00</sup> - 17<sup>00</sup>

Art.-Nr.:

94016/94043

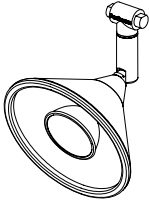
94017/94019

94018/94022

94023/94024

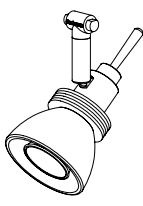
(+MA 173)  
v01

Gu4 1x35W



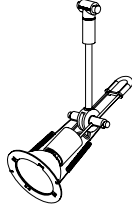
94016/94043

Gu4 1x35W



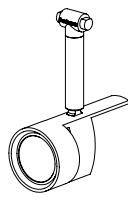
94017

Gu5.3 1x35W



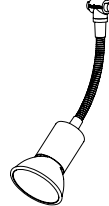
94018

Gu4 1x35W



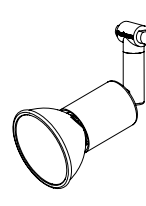
94019

Gu5.3 1x20W



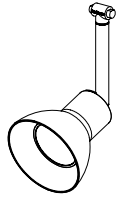
94022

Gu5.3 1x20W



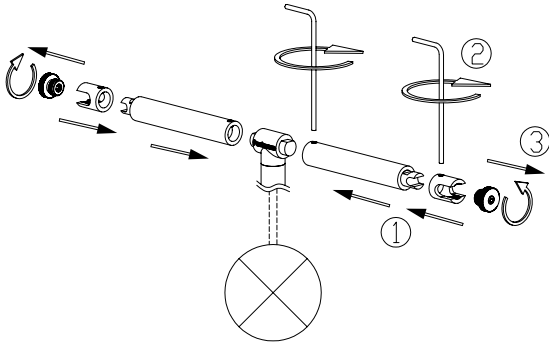
94023

Gu5.3 1x35W

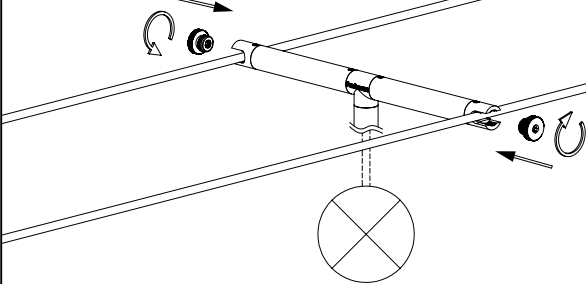
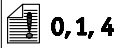


94024

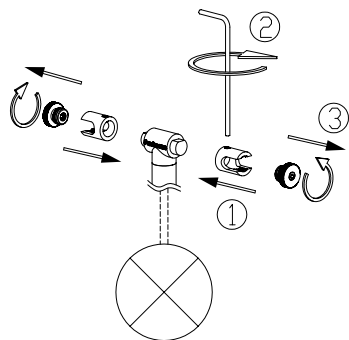
A



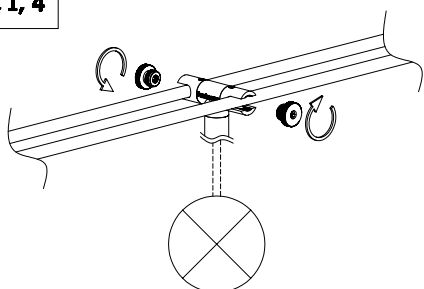
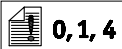
B



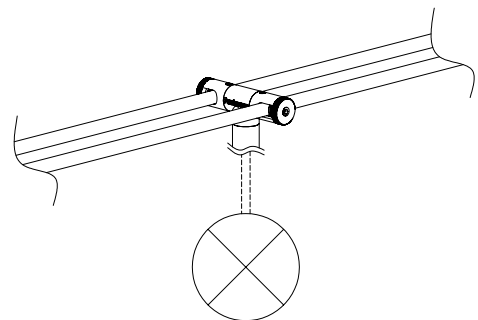
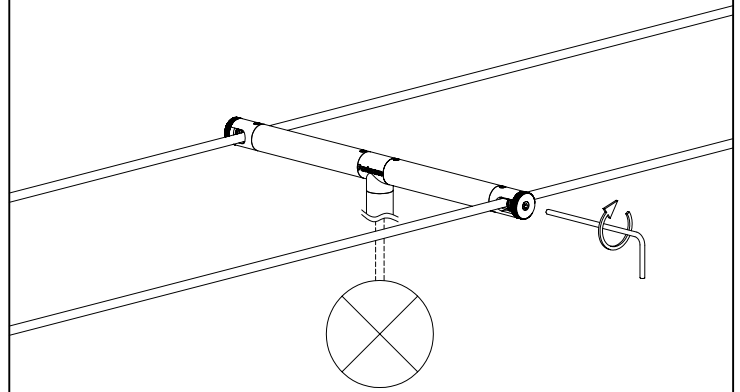
A<sub>1</sub>



B<sub>1</sub>



0, 1, 4



**Safety Instructions**



0,1,4,6,7,8,9,  
11,15,23,26,27



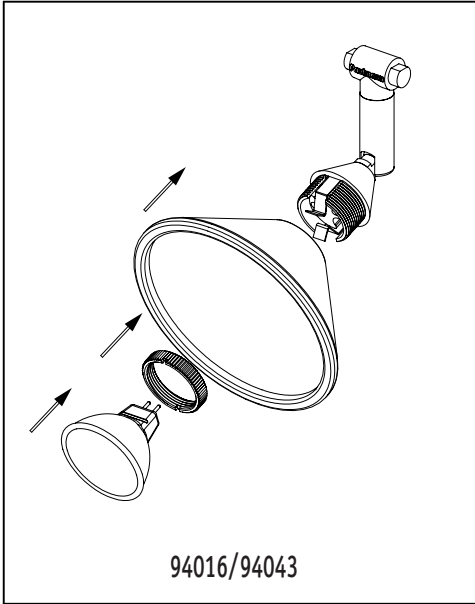
Paulmann Licht GmbH  
31832 Springe / Germany  
www.paulmann.com

+49 (0) 5041 998 389  
Mon. - Do. 7<sup>00</sup> - 20<sup>00</sup>  
Fr. 7<sup>00</sup> - 17<sup>00</sup>

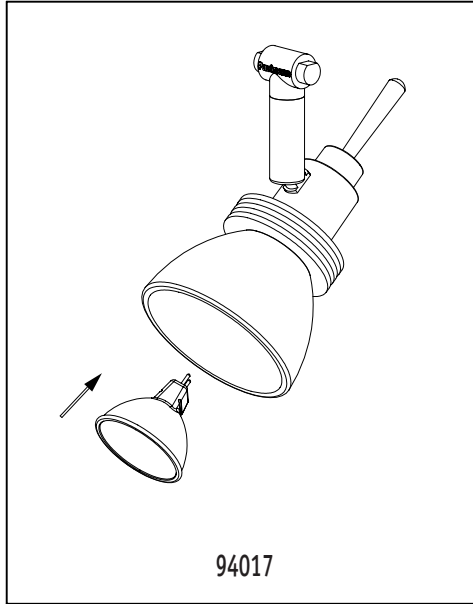
Art.-Nr.:

94016/94043  
94017/94019  
94018/94022  
94023/94024

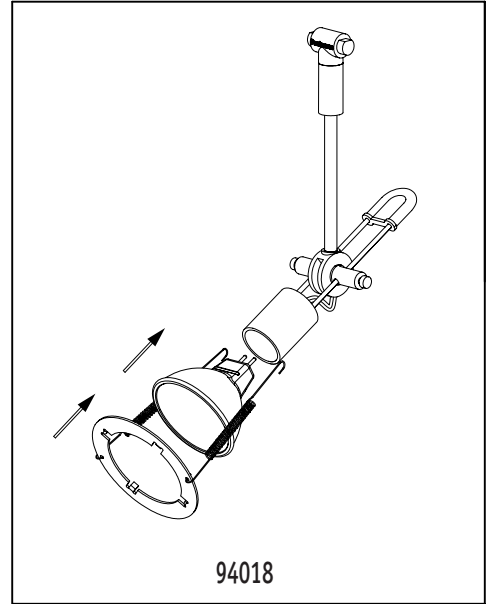
(+MA 173)  
v01



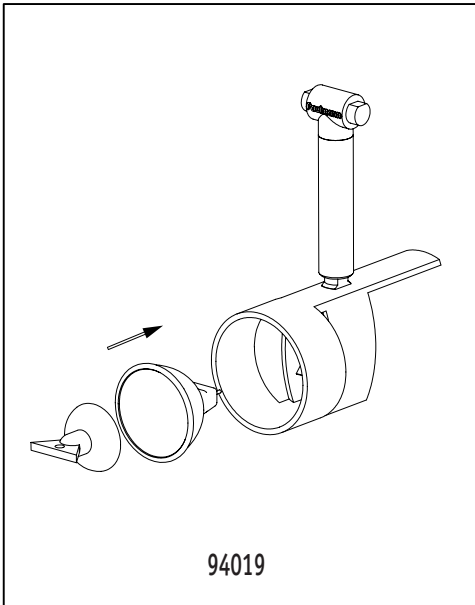
94016/94043



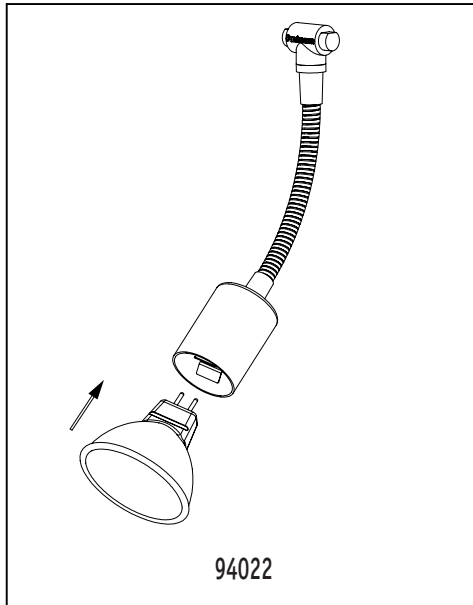
94017



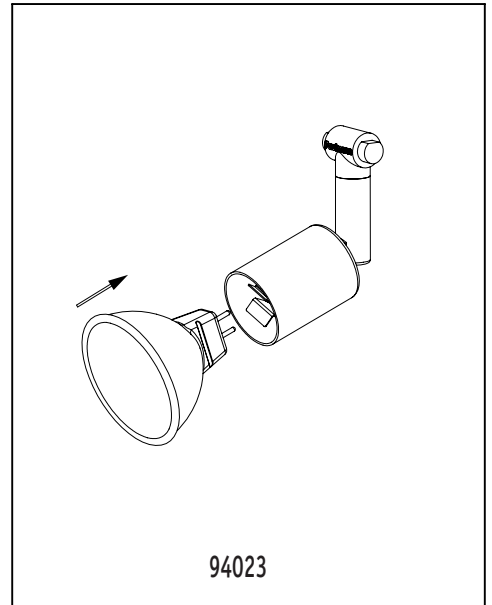
94018



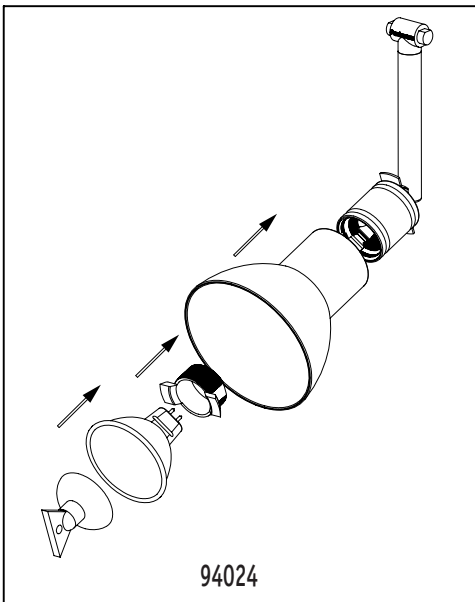
94019



94022



94023



94024

