



# Safety Instructions



0,1,3,4,6,7,8,9,  
11,12,13,15,18,19,  
21,22,23,24,27,28



+49 (0) 5041 998 389

Mon.-Do. 7<sup>00</sup> - 20<sup>00</sup>

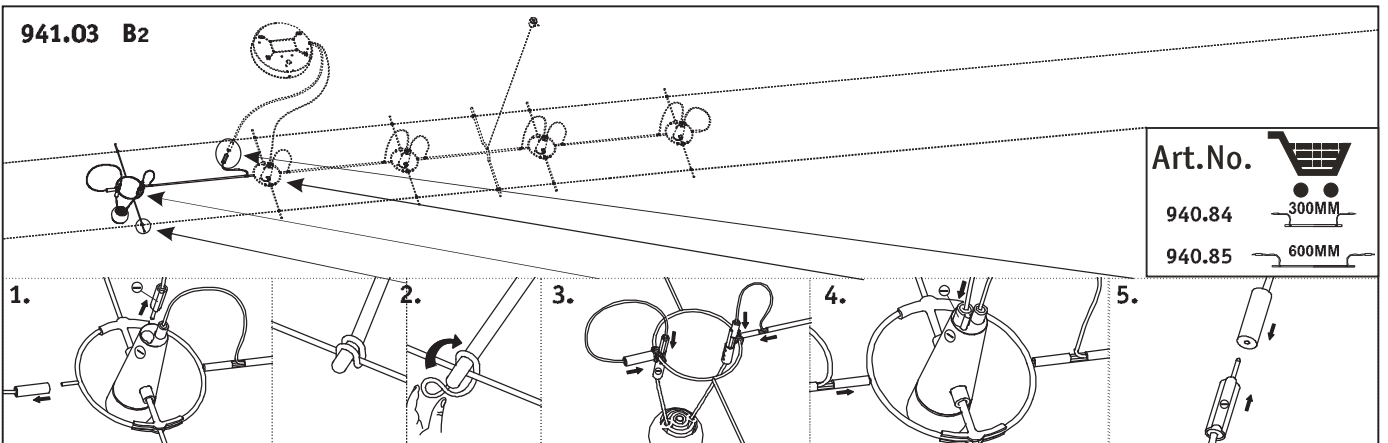
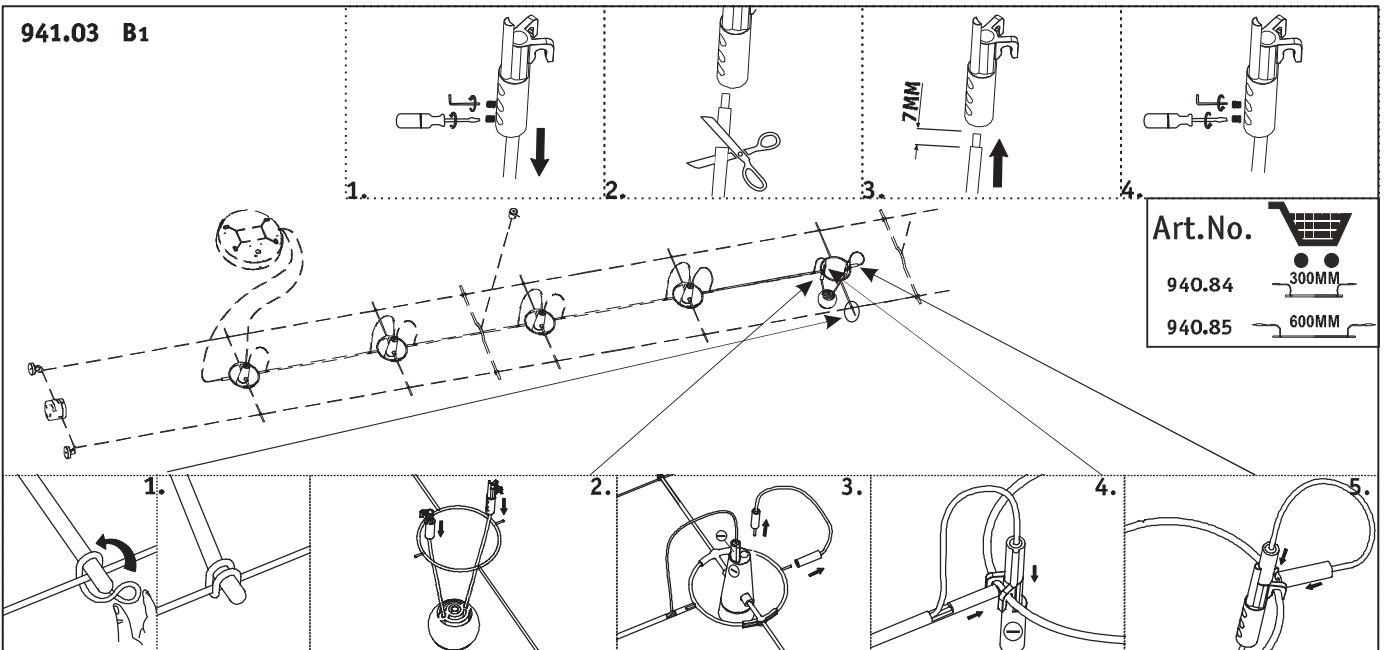
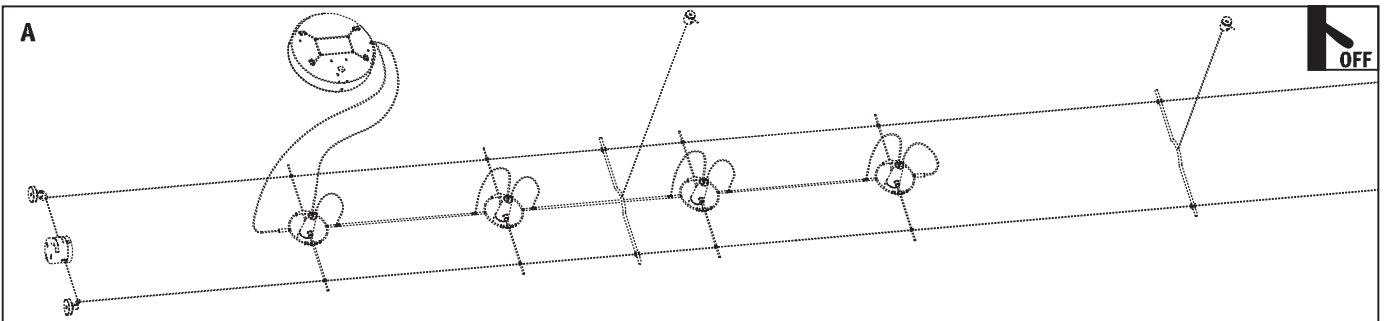
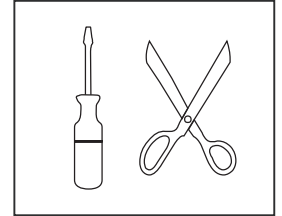
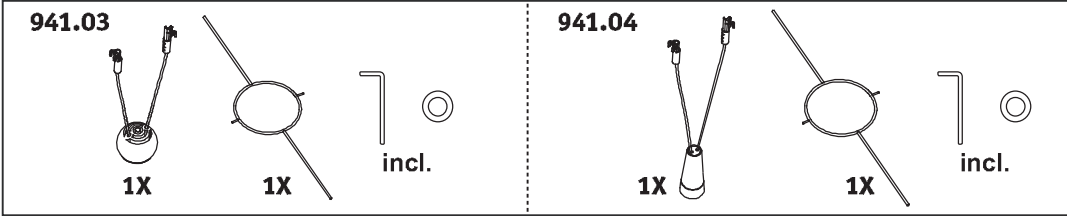
Fr. 7<sup>00</sup> - 17<sup>00</sup>

Paulmann Licht GmbH  
31832 Springe / Germany  
www.paulmann.com

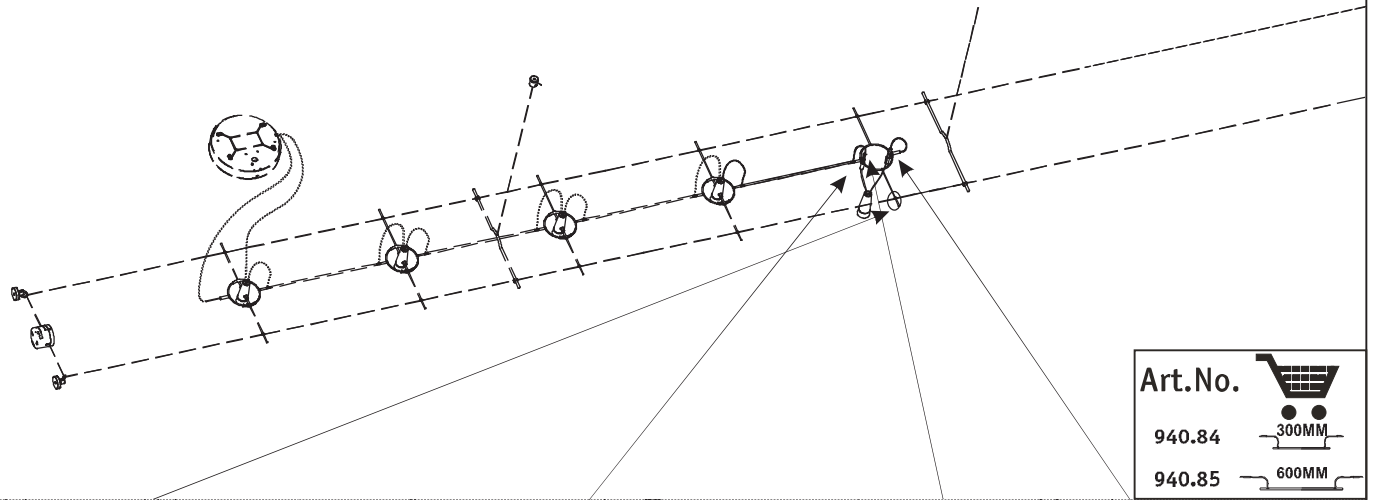
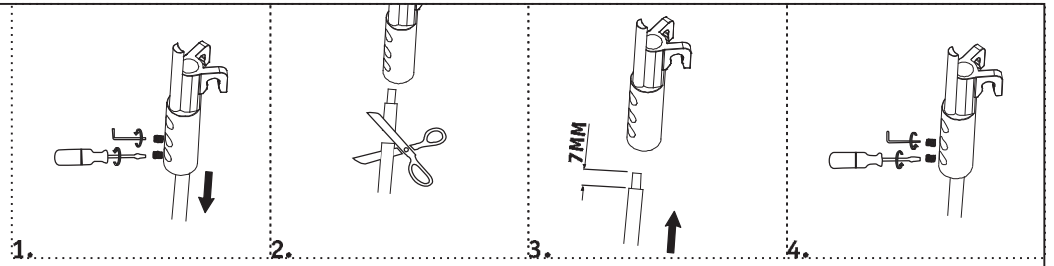
Art.-Nr.:


941.03  
941.04


(+MA 173)  
PSU 12/12




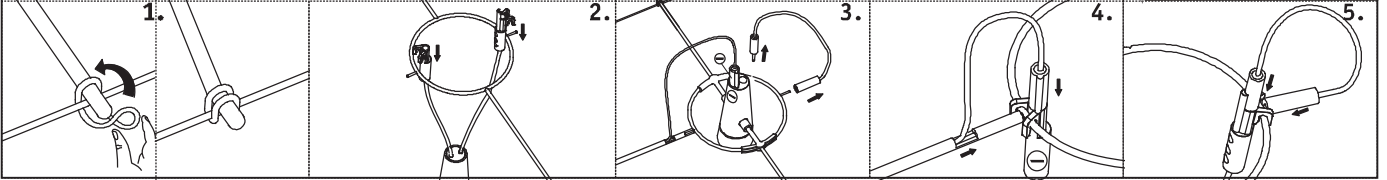
941.04 C1



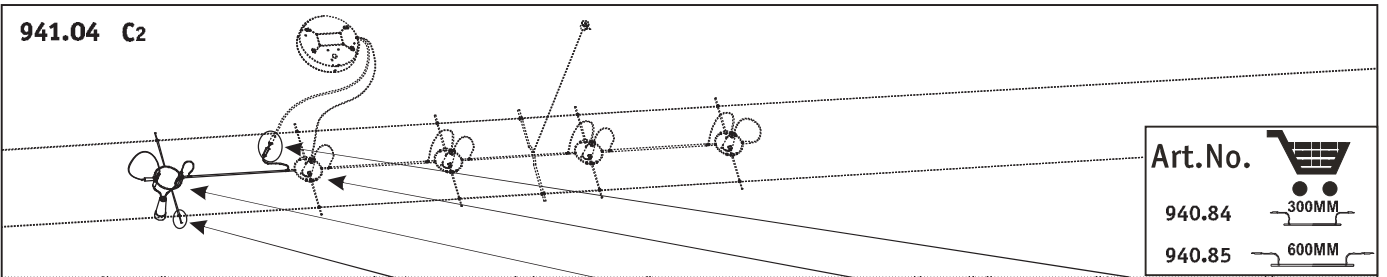
Art.No. 

940.84  300MM

940.85  600MM



941.04 C2



Art.No. 

940.84  300MM

940.85  600MM

