

Safety Instructions



0,1,2,4,6,7,8,9,10,11,
15,17,18,20,22,24,27



Info Hotline **+49 (0) 5041 998 389**

Mon. - Do. 7⁰⁰ - 20⁰⁰

Fr. 7⁰⁰ - 17⁰⁰

Paulmann Licht GmbH
31832 Springe / Germany
www.paulmann.com

Art.-Nr.:

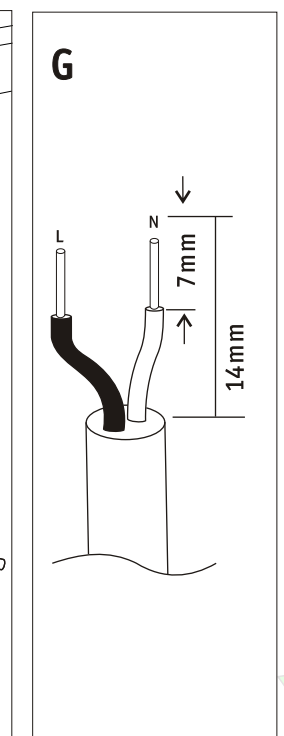
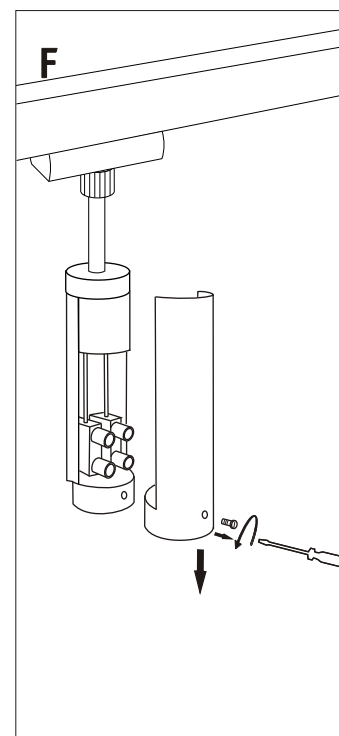
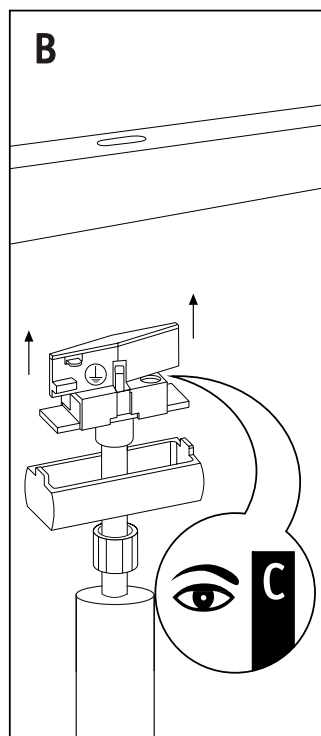
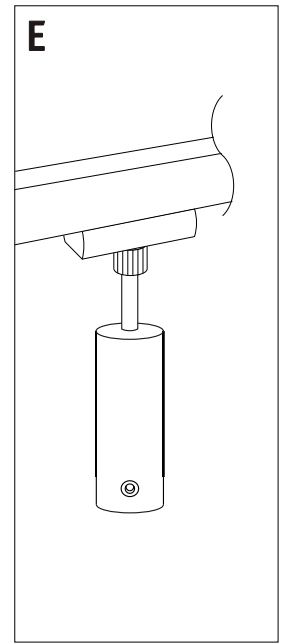
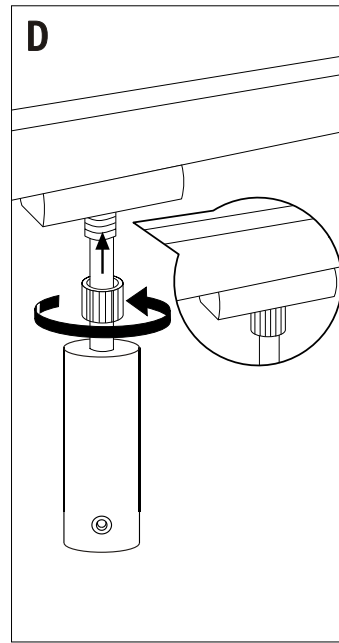
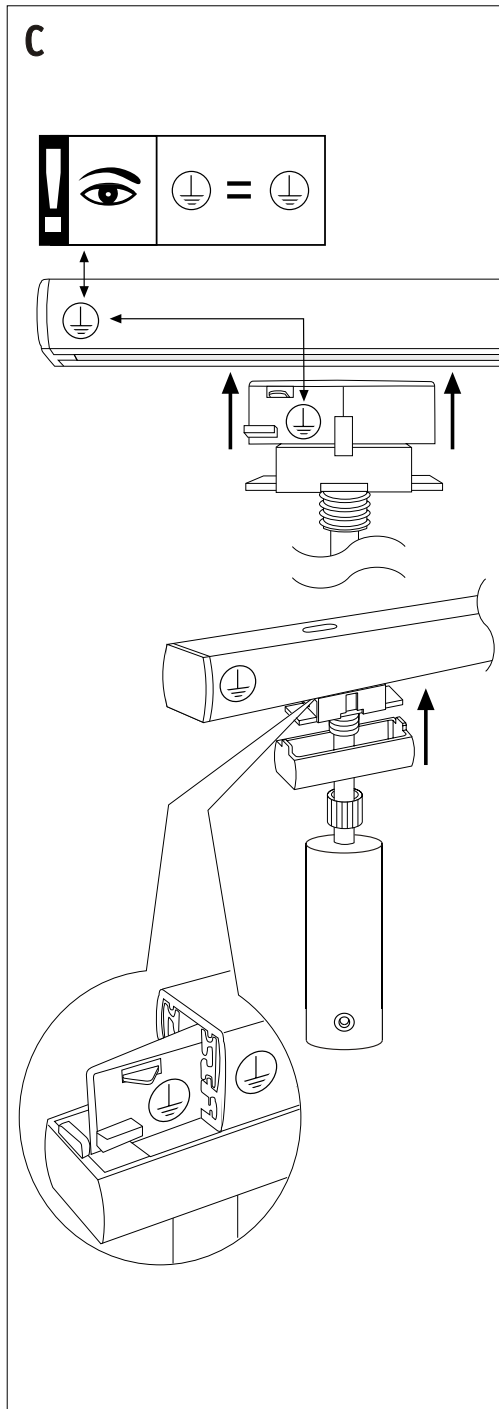
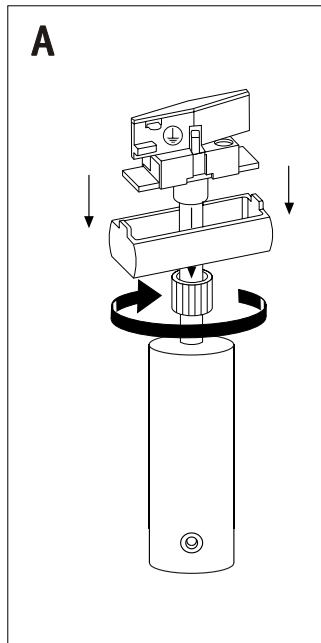
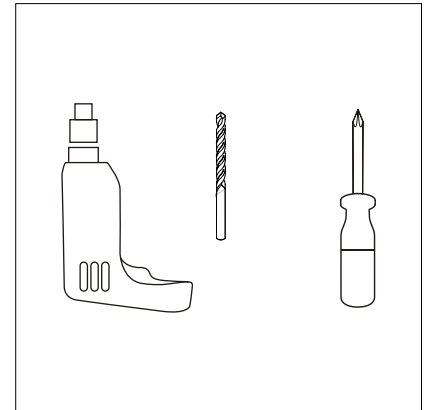
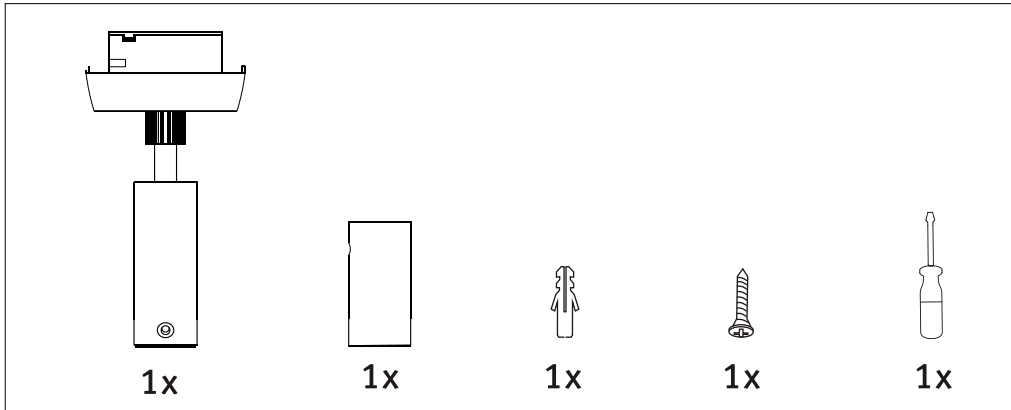
950.00

950.01

950.02

(+MA 173)

PH 07/09



Safety Instructions



0,1,2,4,6,7,8,9,10,11,
15,17,18,20,22,24,27



Info Hotline **+49 (0) 5041 998 389**
Mon. - Do. 7⁰⁰ - 20⁰⁰
Fr. 7⁰⁰ - 17⁰⁰

Paulmann Licht GmbH
31832 Springe / Germany
www.paulmann.com

Art.-Nr.:
950.00
950.01
950.02
(+MA 173)
PH 07/09

