



# Safety Instructions



0,1,4,6,7,8,9,11,15,  
23,26,27



**+49 (0) 5041 998 389**

Mon. - Do. 7<sup>00</sup> - 20<sup>00</sup>

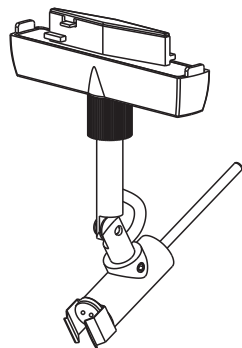
Fr. 7<sup>00</sup> - 17<sup>00</sup>

Paulmann Licht GmbH  
31832 Springe / Germany  
www.paulmann.com

Art.-Nr.:  
**950.57**

(+MA 173)

PH 08/10

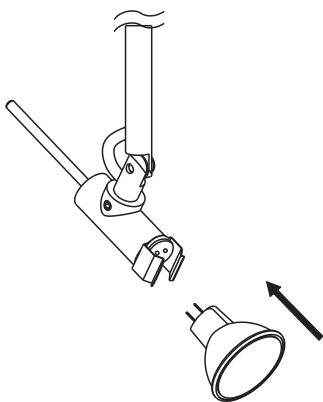


1x



1x

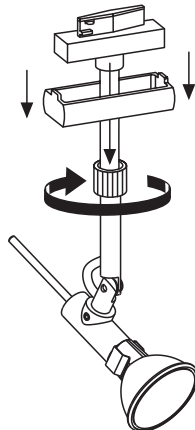
**A**



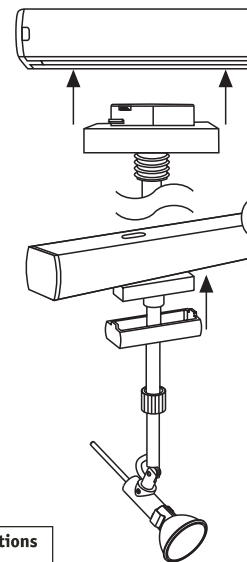
Safety Instructions

**Nr.7,8**

**B**



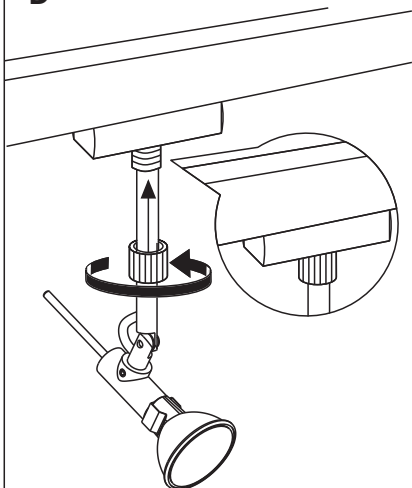
**C**



Safety Instructions

**Nr.0**

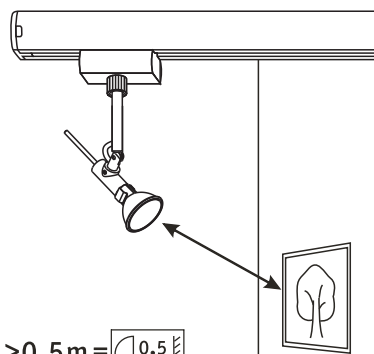
**D**

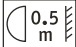


Safety Instructions

**Nr.0.4**

**E**

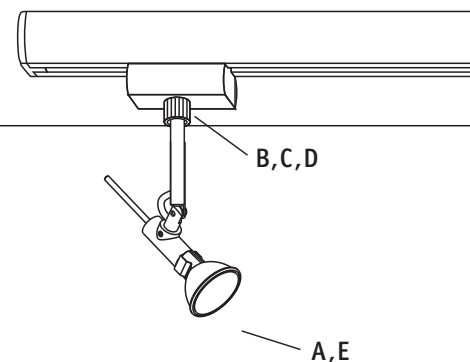


>0.5m = 



Safety Instructions

**Nr.9**



20W 35mm GU4

Art.No.  
**838.26**