



# Safety Instructions



0,1,4,6,7,8,9,11,15,  
23,26,27



+49 (0) 5041 998 389

Mon. - Do. 7<sup>00</sup> - 20<sup>00</sup>

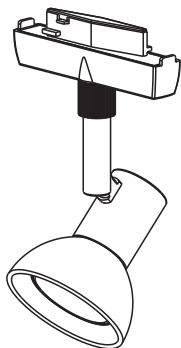
Fr. 7<sup>00</sup> - 17<sup>00</sup>

Paulmann Licht GmbH  
31832 Springe / Germany  
www.paulmann.com

Art.-Nr.:  
**950.59**

(+MA 173)

PH 08/10



1x

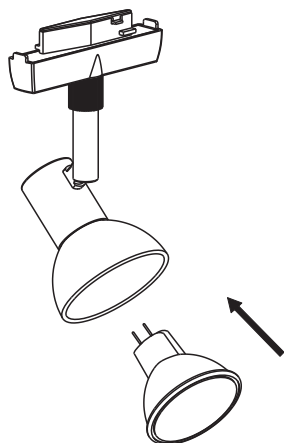


1x



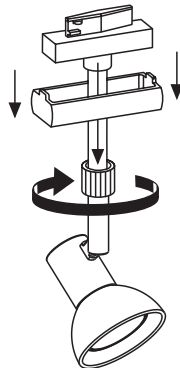
1x

A

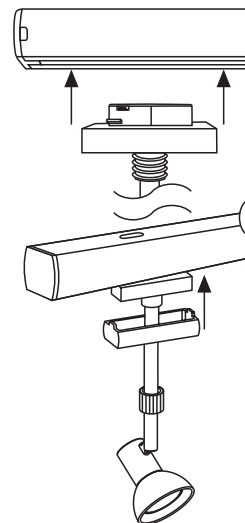


Safety Instructions  
Nr.7,8

B

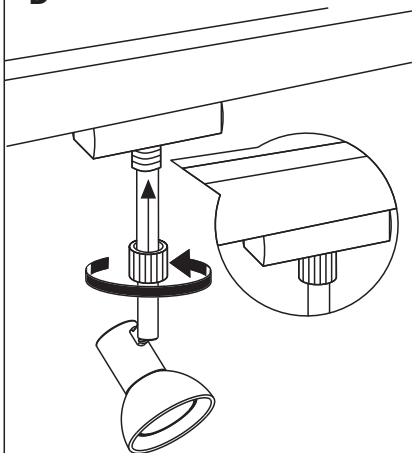


C



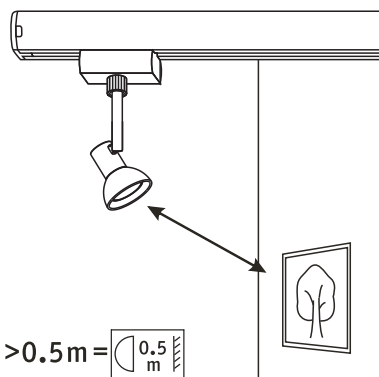
Safety Instructions  
Nr.0

D

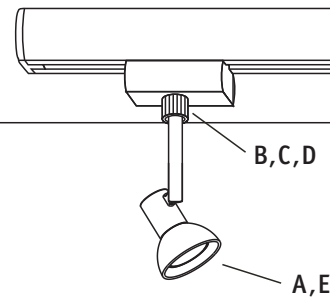


Safety Instructions  
Nr.0.4

E



Safety Instructions  
Nr.9



35W 35mm GU4

Art.No.  
833.76