



# Safety Instructions



0,1,2,4,7,8,9,11,12,  
15,23,24,25



Info Hotline

+49 (0) 5041 998 389

Mon. - Do. 7<sup>00</sup> - 20<sup>00</sup>

Fr. 7<sup>00</sup> - 17<sup>00</sup>

Paulmann Licht GmbH  
31832 Springe / Germany  
www.paulmann.com

Art.-Nr.:

951.01  
951.02  
951.03  
951.04  
951.05  
951.06  
951.07  
(+MA 173)  
PSU 11/11

<p><b>951.01/951.02</b></p> <p>1X 2X incl.</p>	<p><b>951.03</b></p> <p>1X incl.</p>	<p><b>951.05</b></p> <p>1X 1X</p>	
--	--------------------------------------	-----------------------------------	--

<p><b>951.04</b></p> <p>1X 1X incl.</p>	<p><b>951.06</b></p> <p>2X</p>	<p><b>951.07</b></p> <p>5X 5X incl.</p>
---	--------------------------------	---

**A 951.07**

1. a. b.

2.

3.

**B 951.05**

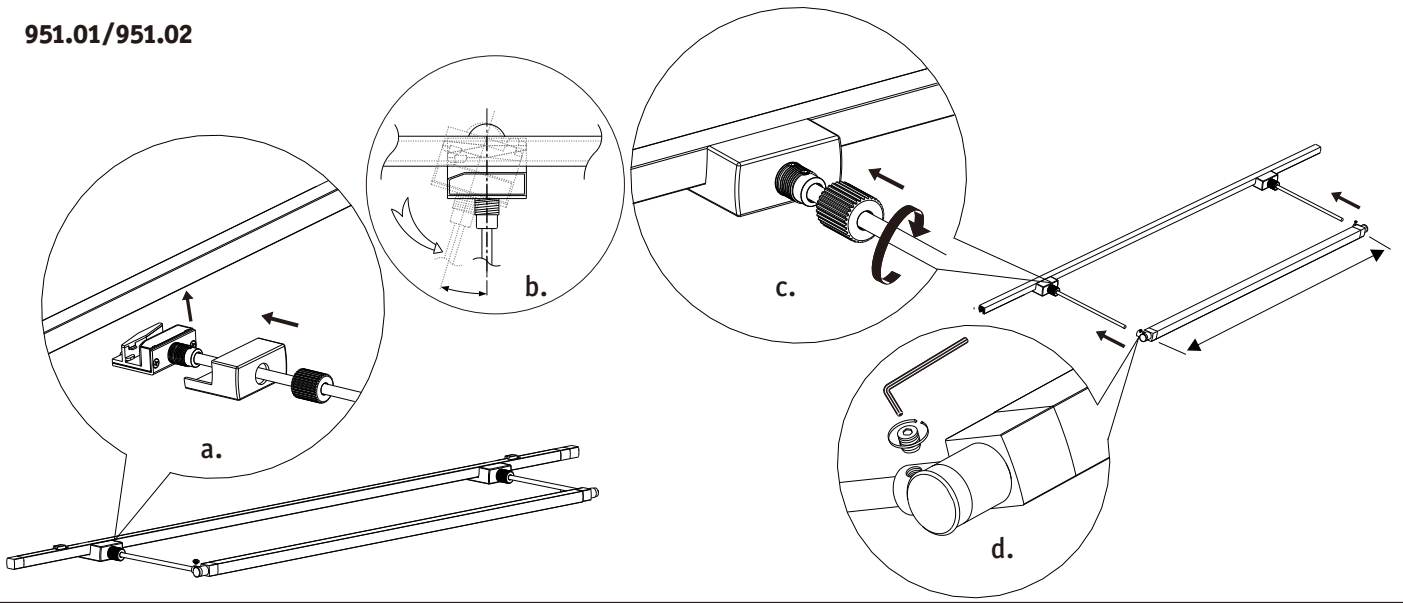
Art.No. 950.51

**C 951.06**

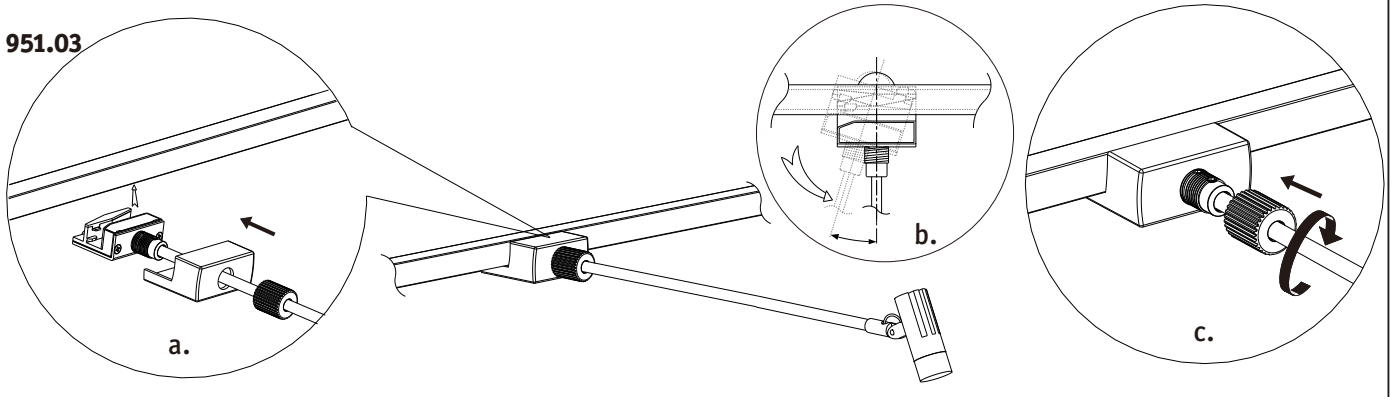
a.

b.

**D 951.01/951.02**



**E 951.03**



**F 951.04**

