


**SAFETY INSTRUCTIONS**

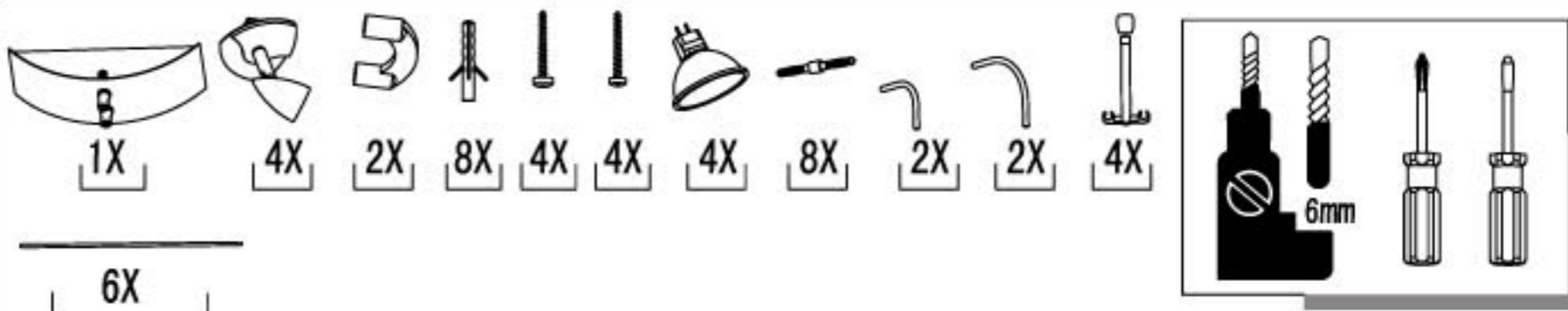


0,1,2,3,4,5b,6,7,8,9,10,11,12,13,14,  
15,17,18,20,21,22,23,24,27.

**PAULMANN LICHT GmbH**  
Quezingerfeld 2•D-31832 Springe  
[www.Paulmann.com](http://www.Paulmann.com)  
+49 (0) 5041 998 389

7<sup>00</sup> - 20<sup>00</sup>  
Mon. - Fri.

INFO-LINE

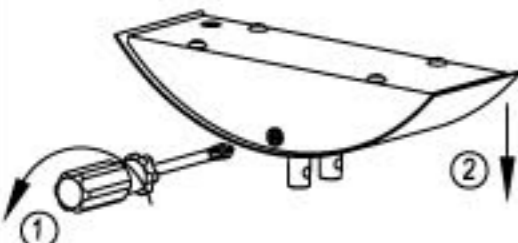



1X 4X 2X 8X 4X 4X 4X 8X 2X 2X 4X

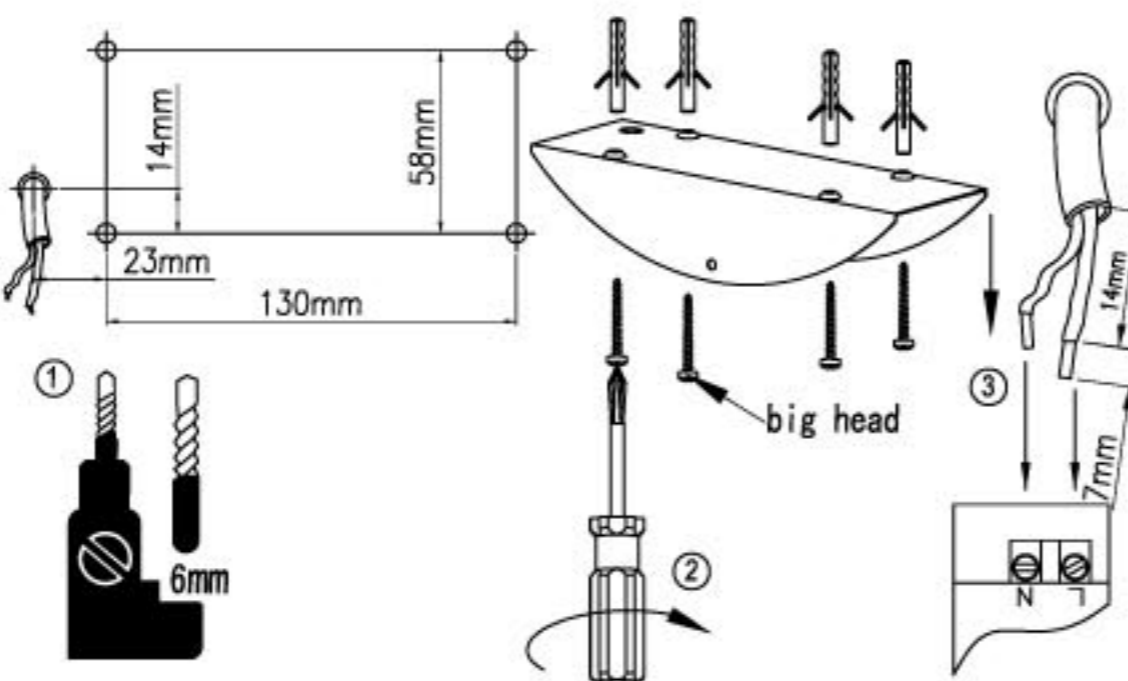
6X

6mm

**A**



**B**




14mm 23mm 58mm 130mm

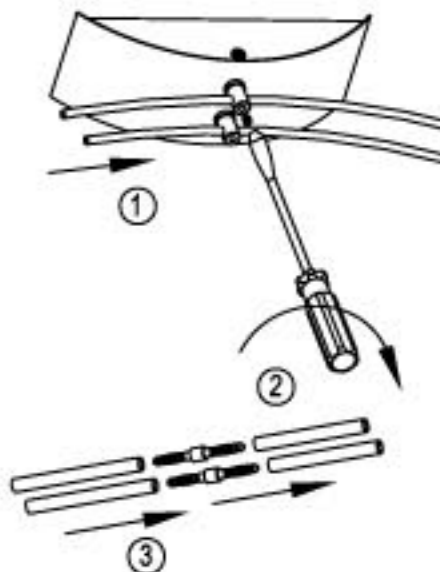
6mm

big head

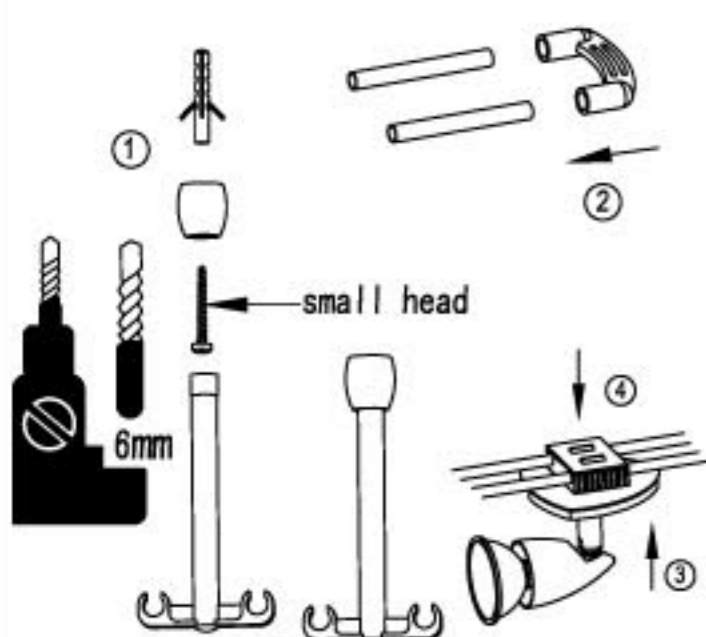
**C**



**D**

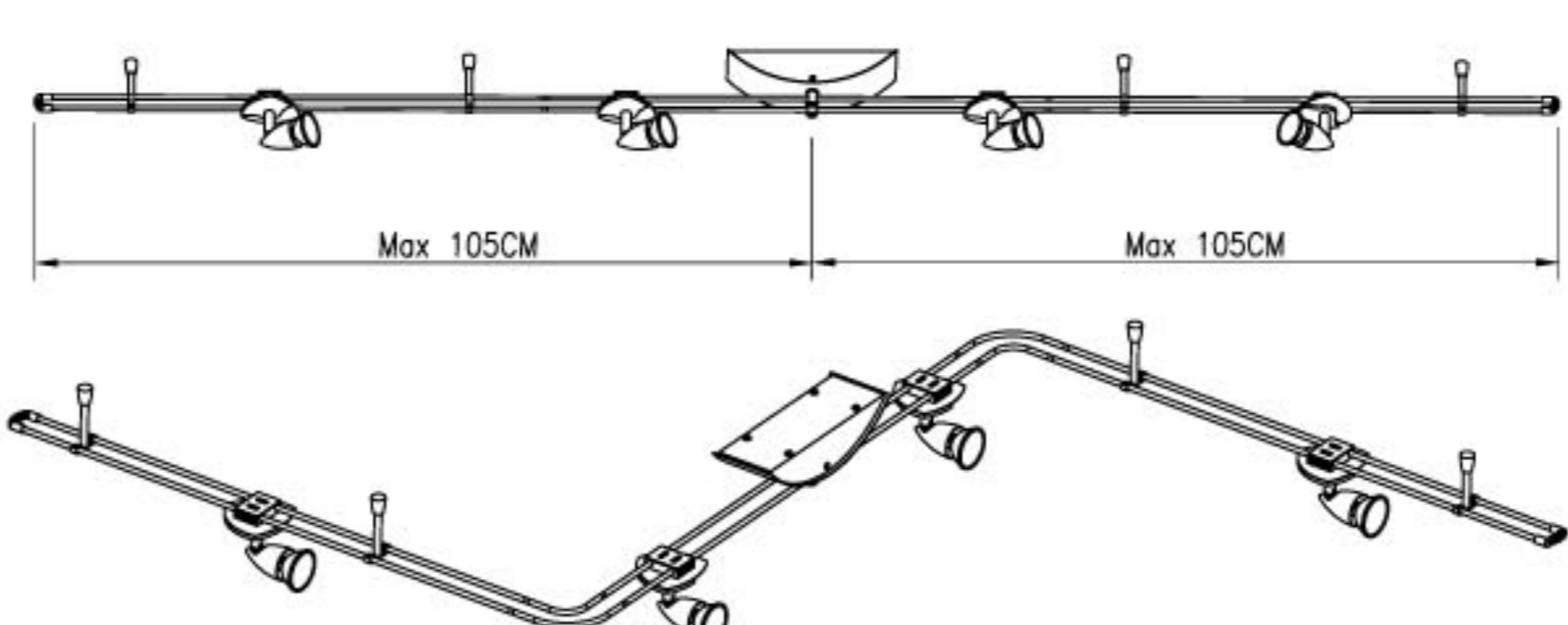


**E**

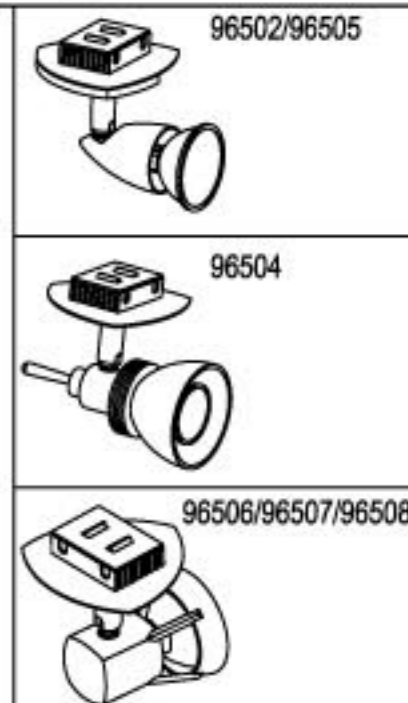


small head

6mm



Max 105CM Max 105CM



96502/96505

96504

96506/96507/96508