

SAFETY INSTRUCTIONS



SAFETY INSTRUCTIONS

0,1,4,6,7,8,9,11,15,20,22



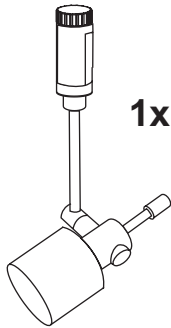
PAULMANN LICHT GmbH  
Quezinger Feld 2 • D-31832 Springe  
[www.Paulmann.com](http://www.Paulmann.com)

+49 (0) 5041 998 389

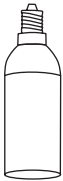
7<sup>00</sup> - 20<sup>00</sup>

Mon. - Fri.

97346

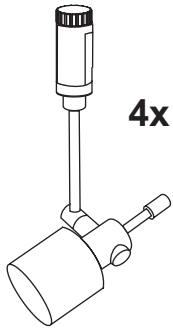


1x

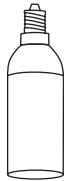


1x

99783

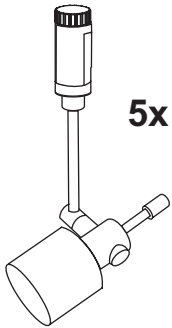


4x



4x

99784

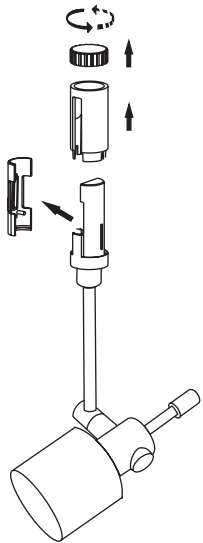


5x

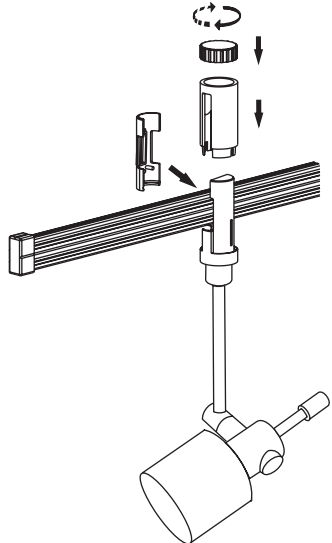


5x

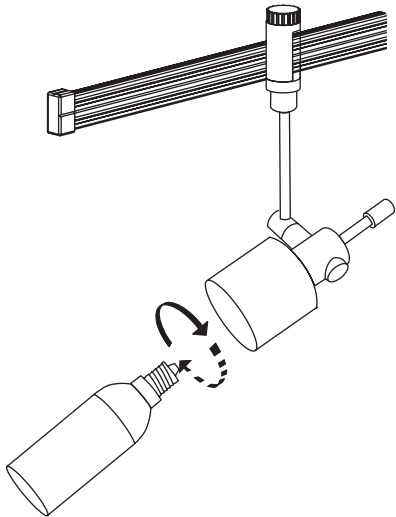
A



B



C



D

