



Safety Instructions



0,1,2,3,4,6,9,10,11,15,
22,23,24,27



Info Hotline

+49 (0) 5041 998 389

Mon.-Do. 7⁰⁰-20⁰⁰

Fr. 7⁰⁰-17⁰⁰



Paulmann Licht GmbH
31832 Springe / Germany
www.paulmann.com

Art.-Nr.:
973.54

(+MA 173)

PH 07/09

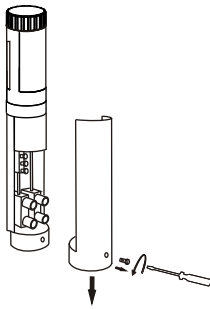


1x

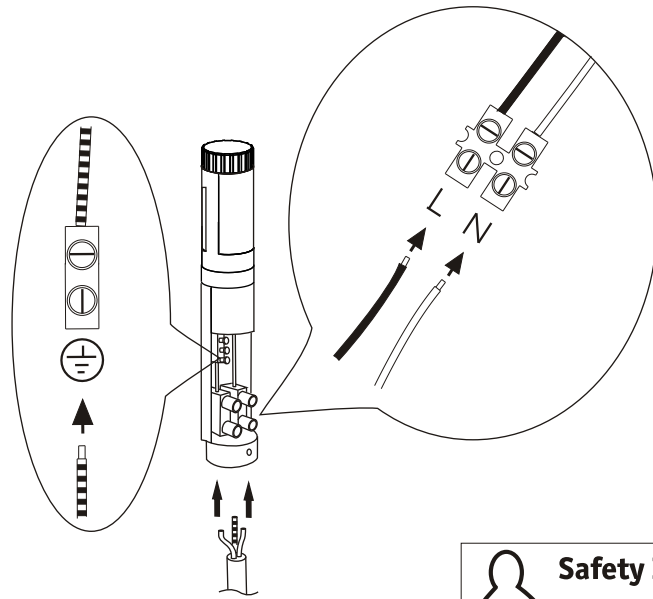


1x

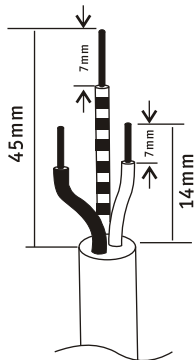
A



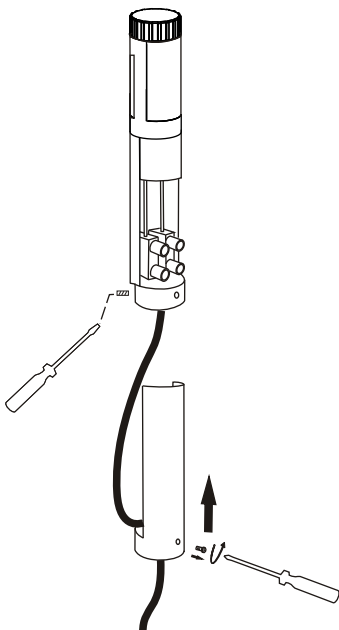
C



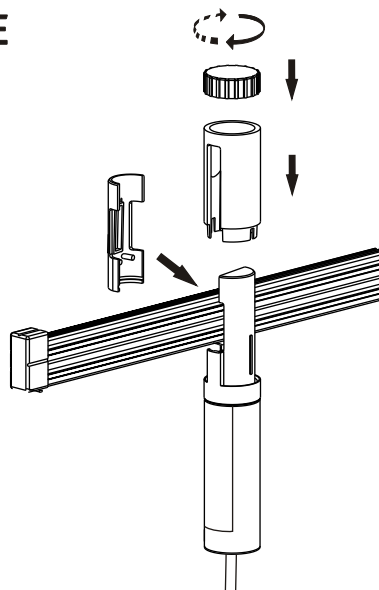
B



D



E



Safety Instructions

Nr.0



Safety Instructions

Nr.3,4

E

A,B,C,D

