



Safety Instructions



0,1,4,6,7,8,9,10,15,20,24,
25,26,27



Info Hotline +49 (0) 5041 998 389

Mon. - Do. 7⁰⁰ - 20⁰⁰

Fr. 7⁰⁰ - 17⁰⁰

Paulmann Licht GmbH
31832 Springe / Germany
www.paulmann.com

Art.-Nr.:

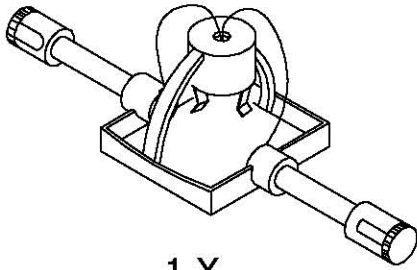
97490,

97497,

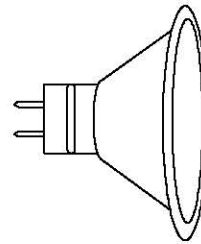
97502

(+MA 173)

PCK07/09

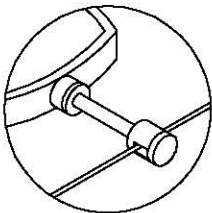


1 X

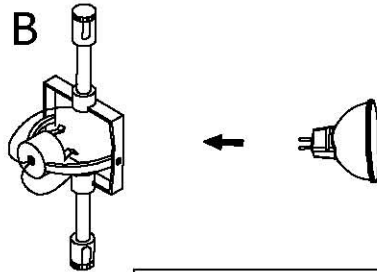


1 X 35W

A



B

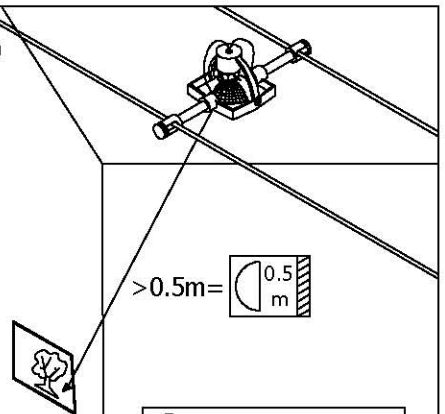


Art. No.
35W 51mm GU5.3 83331

C



D



>0.5m =

Safety Instructions
Nr. 9