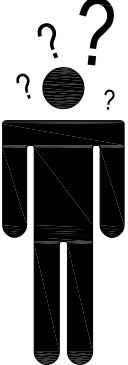


SAFETY INSTRUCTIONS



SAFETY INSTRUCTIONS

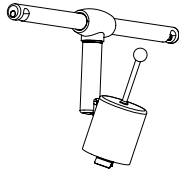
0,4,6,7,8,11,15,20,22,24




PAULMANN LICHT GmbH
Quezinger Feld 2 • D-31832 Springe
www.Paulmann.com
+49 (0) 5041 998 389

INFO-LINE

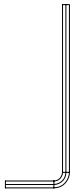
7⁰⁰ — 20⁰⁰ Mo.-Do.
7⁰⁰ — 17⁰⁰ Fr.



1X

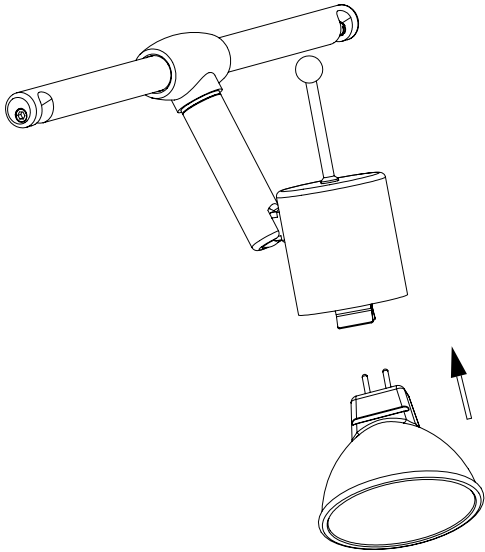


1X(35W)



1X(M4)

A



B

