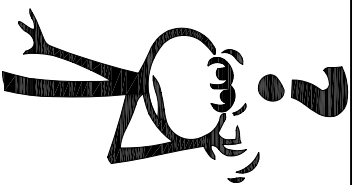


Safety Instructions



0,1,4,6,7,8,9,11,15,17,20,22



Paulmann Licht GmbH

Quezinger Feld 2

D-31832 Springe

www.Paulmann.com

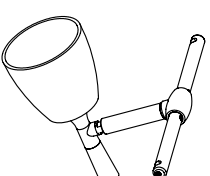
+49 (0) 5041 998 389

Mo.-Do.

7⁰⁰ – 20⁰⁰

Fr.

7⁰⁰ – 17⁰⁰



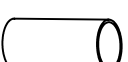
1X



1X<(20W)>



1X

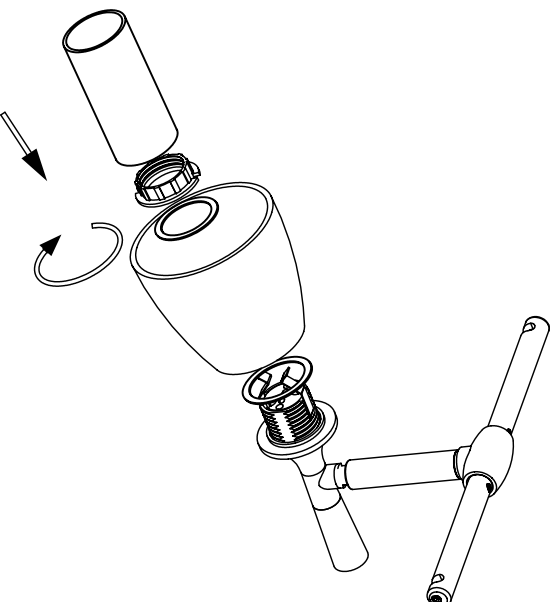


1X

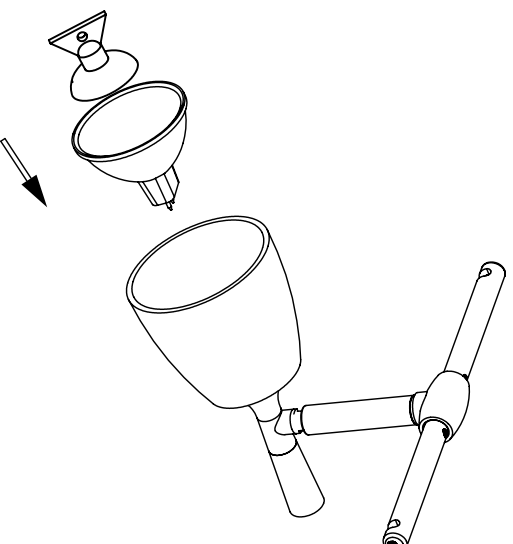


1X<(M4)>

A



B



C

