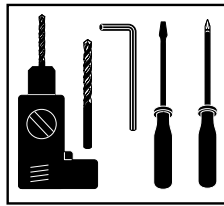
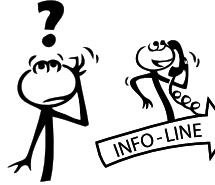


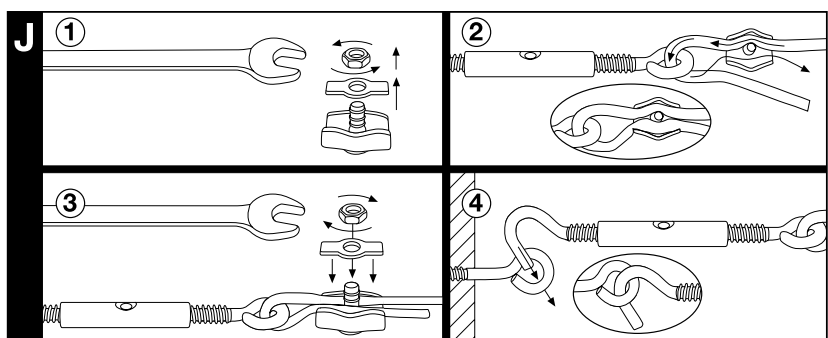
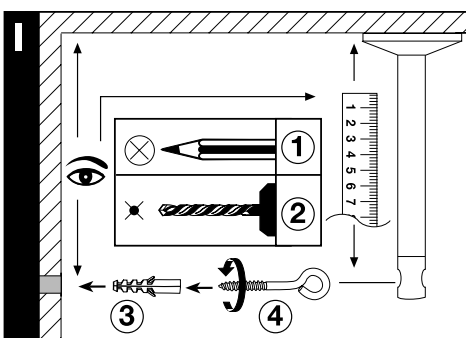
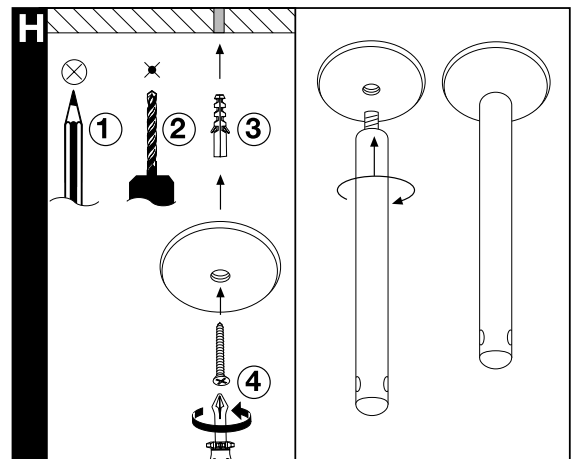
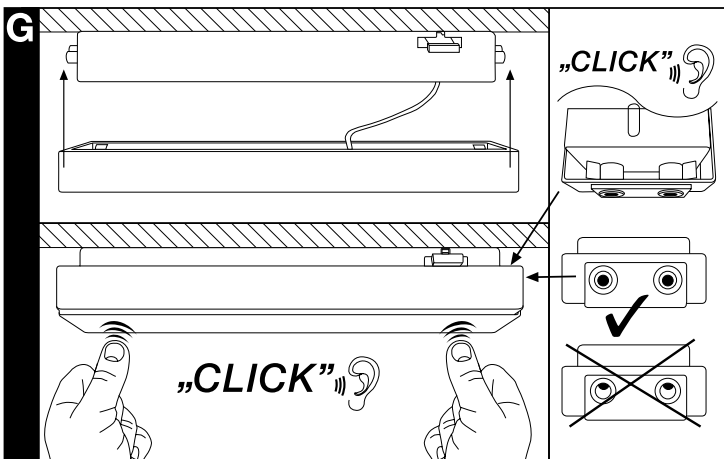
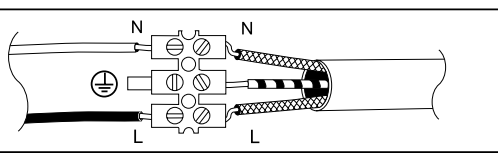
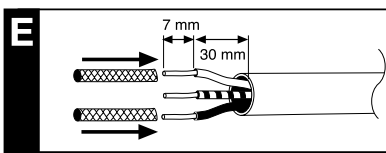
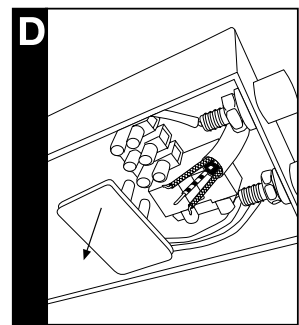
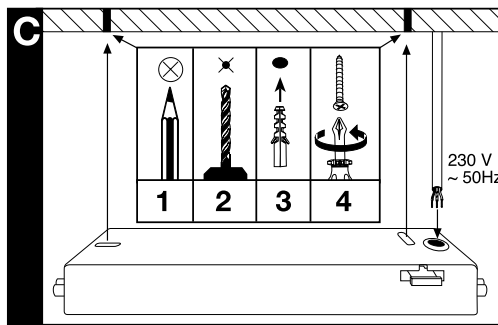
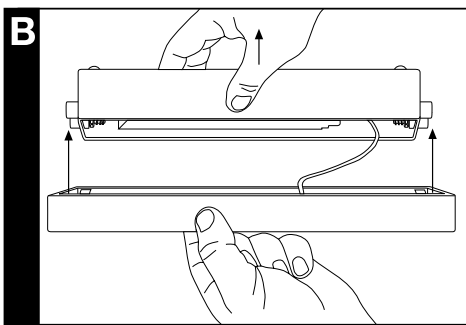
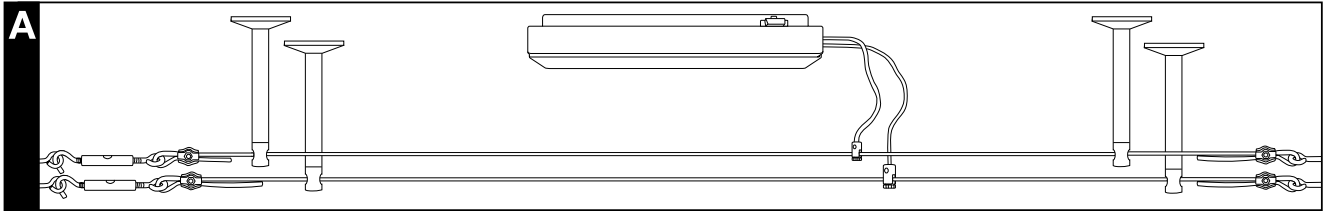
Safety Instructions

0, 1, 2, 3, 4, 6, 7, 8,
11, 12, 15, 16, 17, 18,
22, 23, 24

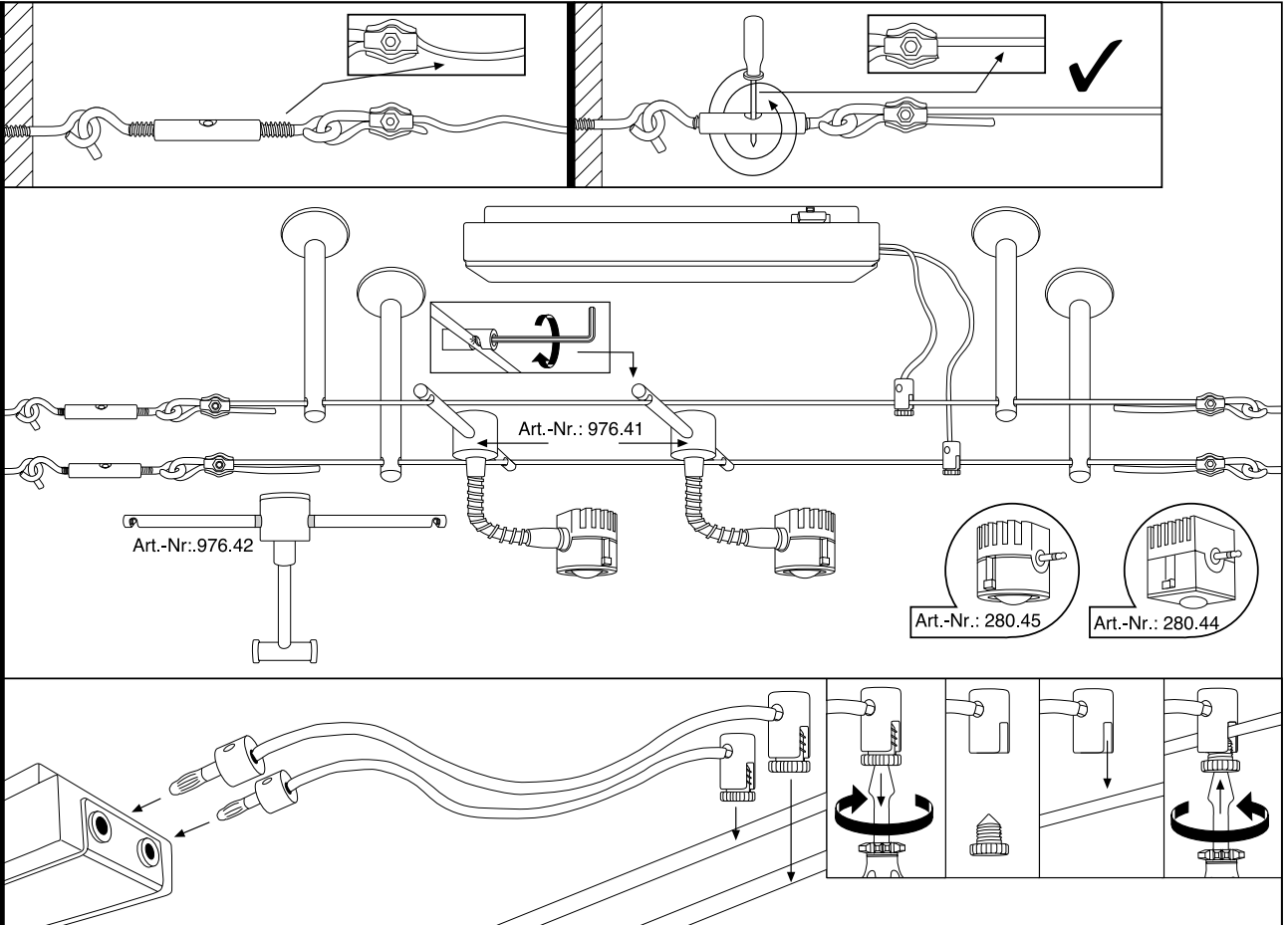



Paulmann Licht GmbH
Quezinger Feld 2
D-31832 Springe
www.paulmann.com

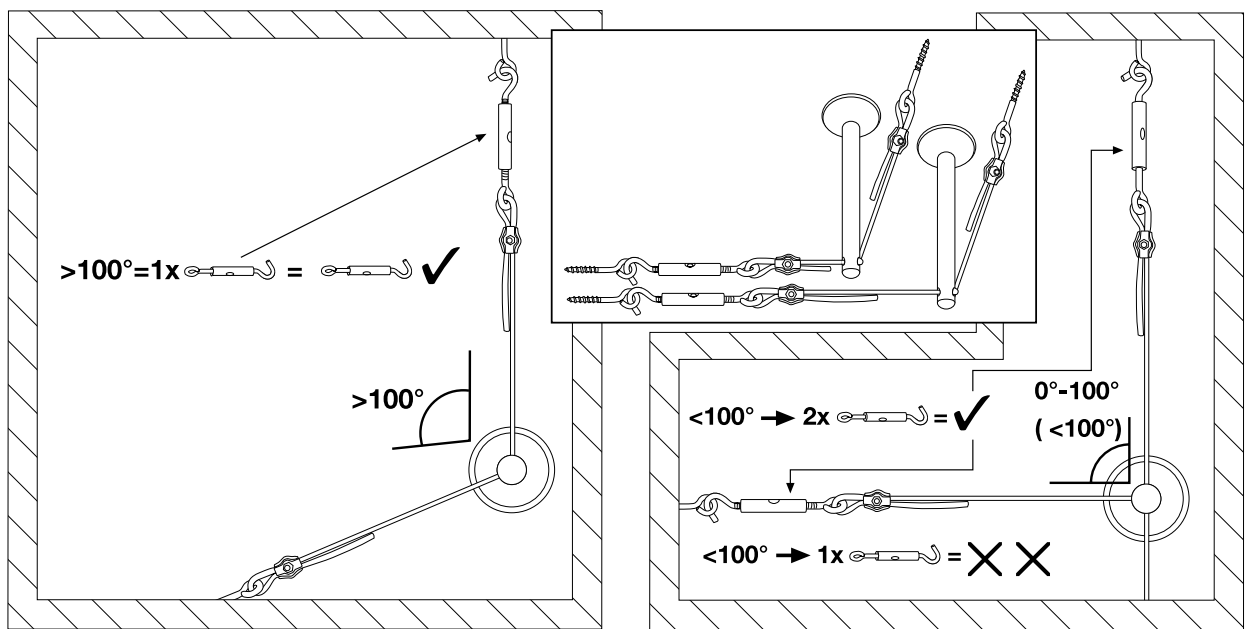
+49 (0) 5041 998 389
Mon.-Do. ☎ 7⁰⁰-20⁰⁰
Fr. ☎ 7⁰⁰-17⁰⁰



K



L



M

