



Safety Instructions



0,1,2,4,6,11,15,18,22



Info Hotline

+49 (0) 5041 998 389










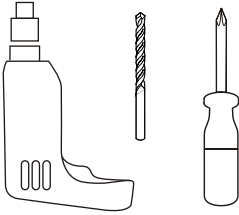
Mon. - Do. 7⁰⁰ - 20⁰⁰

Fr. 7⁰⁰ - 17⁰⁰

Paulmann Licht GmbH
31832 Springe / Germany
www.paulmann.com


Art.-Nr.:
968.54/968.64
976.82/968.33
968.65/976.83
968.34/968.66
976.84

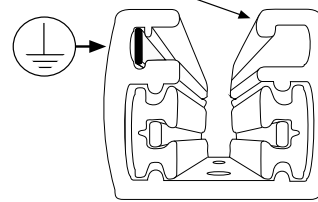
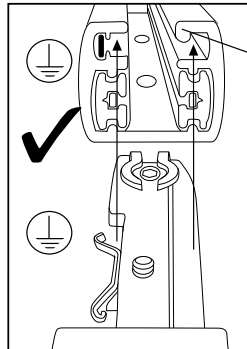
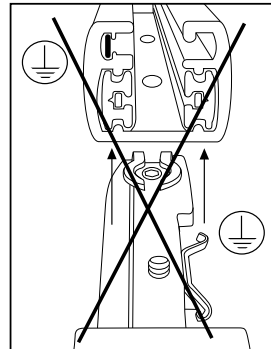
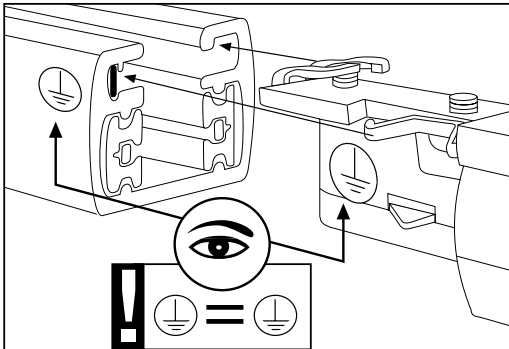
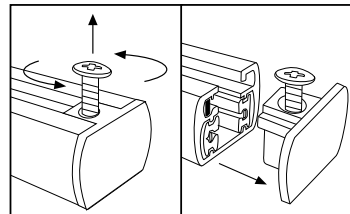
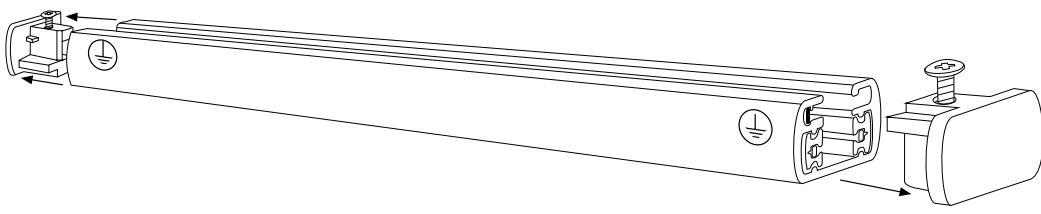
(+MA 173)
PH 08/09

<p>968.54/968.64/976.82</p>  <p>0.5m 1x</p>  <p>2x</p>  <p>2x</p>	<p>968.33/968.65/976.83</p>  <p>1m 1x</p>  <p>2x</p>  <p>2x</p>	<p>968.34/968.66/976.84</p>  <p>2m 1x</p>  <p>3x</p>  <p>3x</p>	
---	--	---	---

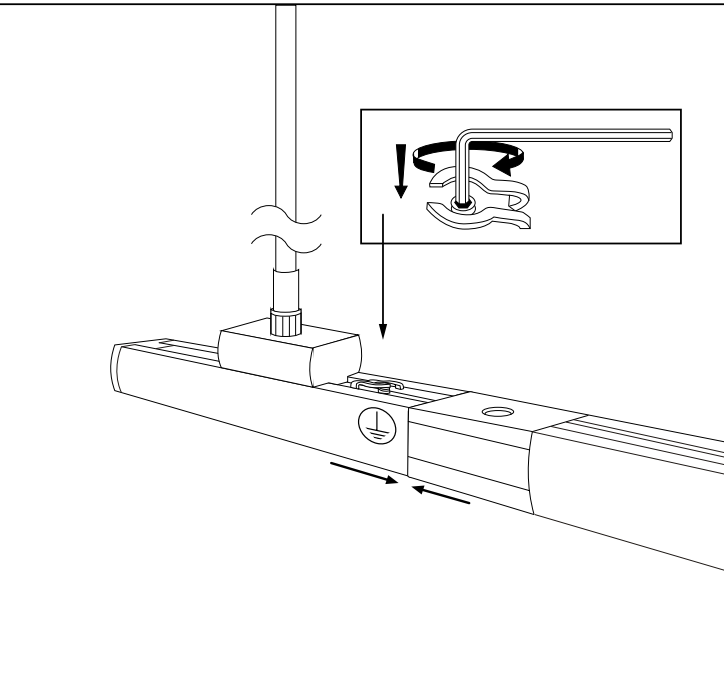
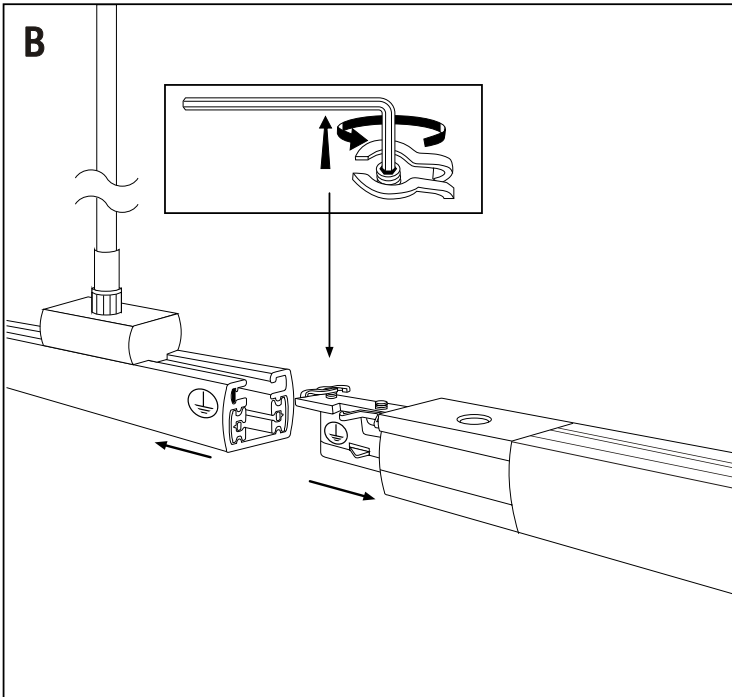
A

Safety Instructions
Nr.0






B





0,1,2,4,6,11,15,18,22



Info Hotline 

+49 (0) 5041 998 389

Mon. - Do. 7⁰⁰ - 20⁰⁰

Fr. 7⁰⁰ - 17⁰⁰

Paulmann Licht GmbH
31832 Springe / Germany
www.paulmann.com

Art.-Nr.:
968.54/968.64
976.82/968.33
968.65/976.83
968.34/968.66
976.84

(+MA 173)
PH 08/09

