



Safety Instructions



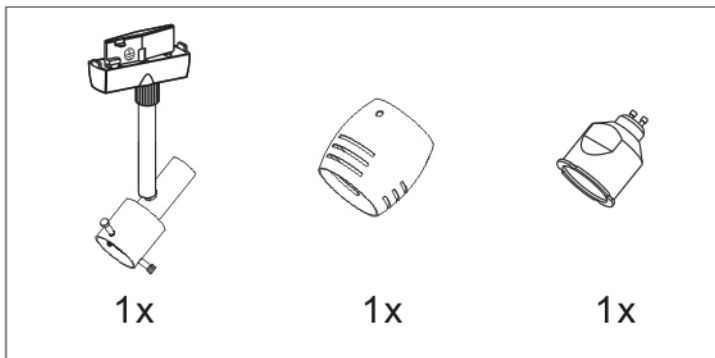
0, 1, 4, 6, 7, 8, 9, 11, 15,
22, 27



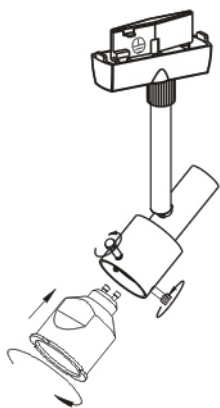
Paulmann Licht GmbH
Quezinger Feld 2
D-31832 Springe
www.paulmann.com

+49 (0) 5041 998 389

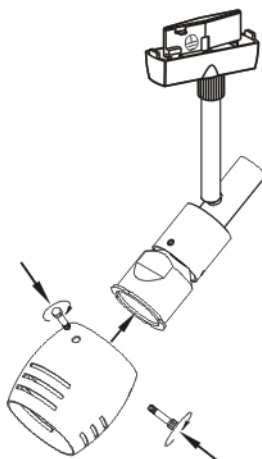
Mon. - Do. ☉ 7⁰⁰ - 20⁰⁰
Fr. ☉ 7⁰⁰ - 17⁰⁰



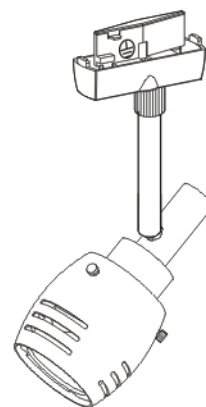
A



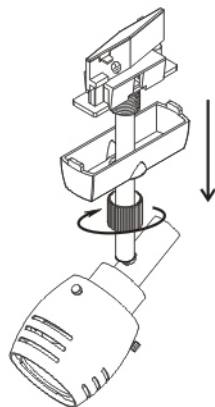
B



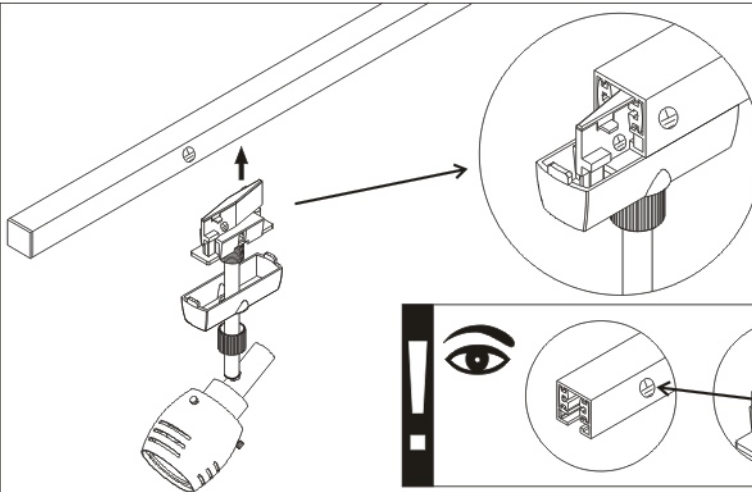
C



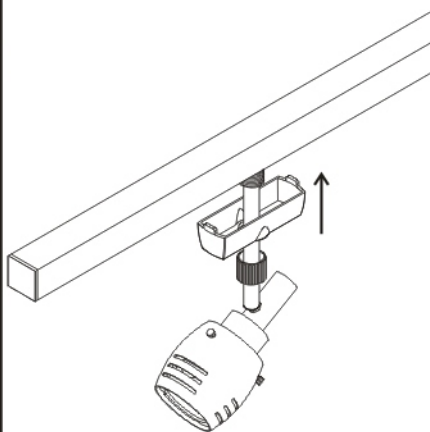
D



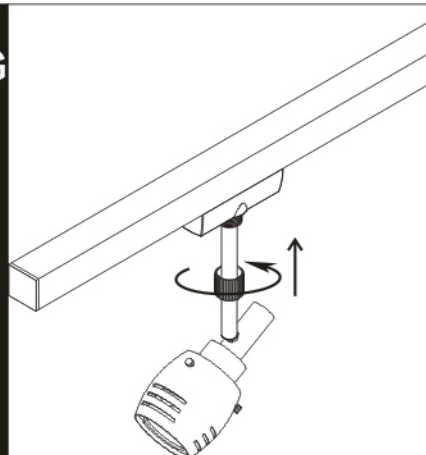
E



F



G



H

