



Safety Instructions



0,1,2,3,4,6,7,8,9,11,15,17,
18,19,22

Info Hotline

+49 (0) 5041 998 389

Mon. - Do. 7⁰⁰ - 20⁰⁰

Fr. 7⁰⁰ - 17⁰⁰



Paulmann Licht GmbH
31832 Springe / Germany
www.paulmann.com

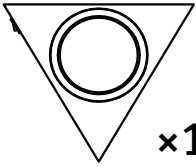
Art.-Nr.:

983.43

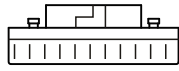
983.45

(+MA 173)

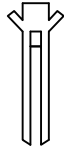
PCL 05/09



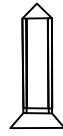
x1



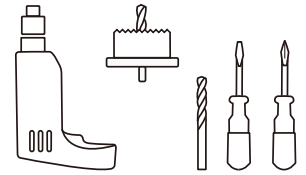
x1



x2

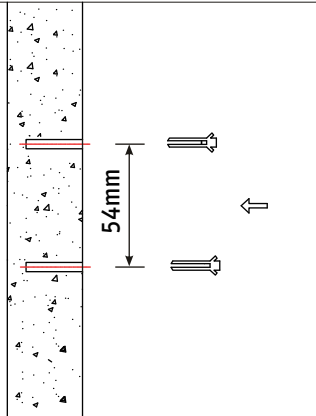


x2



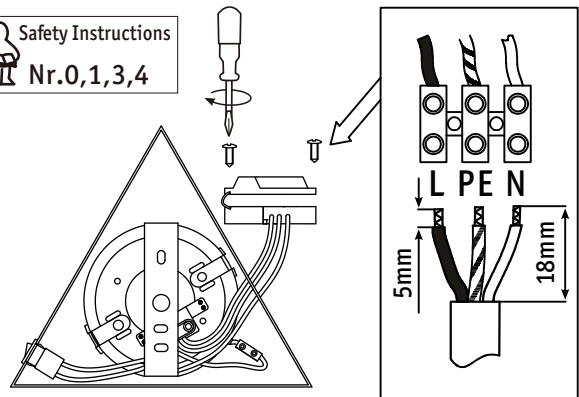
A

Safety Instructions
Nr.1,2



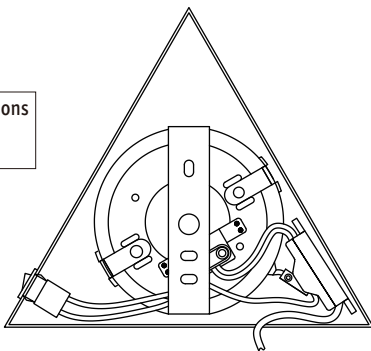
B

Safety Instructions
Nr.0,1,3,4



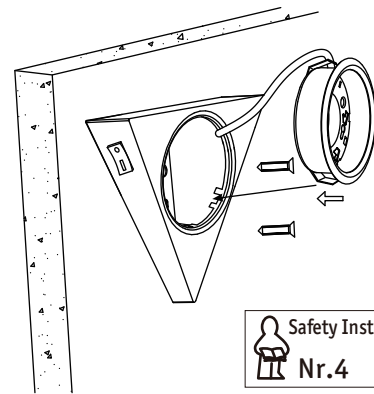
C

Safety Instructions
Nr.4



D

Safety Instructions
Nr.4

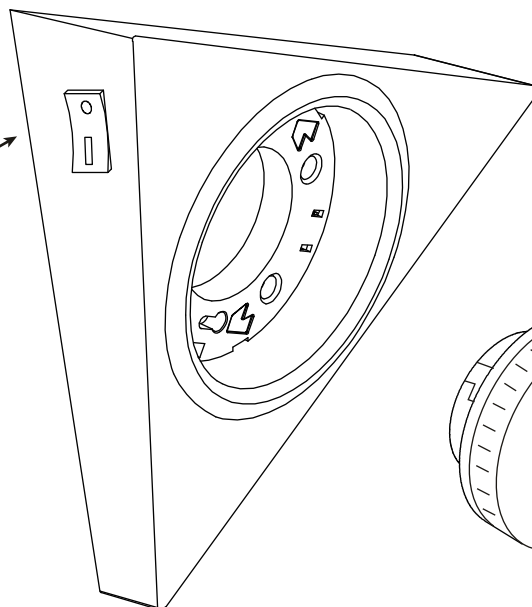


E

„NO/OFF”



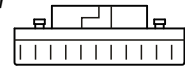
Safety Instructions
Nr.4,9



9W≈50W

GX53

2700K



Paulmann

Art.-Nr.: 883.23

