

Safety Instructions



0,1,2,3, 6, 11, 12, 15, 16,
17,21,22,



Info Hotline

+49 (0) 5041 998 389

Mon. - Do. 7⁰⁰ - 20⁰⁰

Fr. 7⁰⁰ - 17⁰⁰

Paulmann Licht GmbH
31832 Springe / Germany
www.paulmann.com

Art.-Nr.:

983.52
935.02

(+MA 173)

PSU 11/09

983.52



3x



2x



1x

935.02



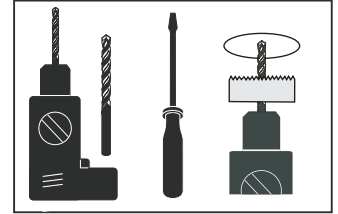
1x



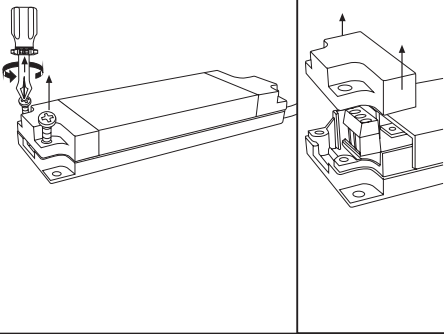
2x



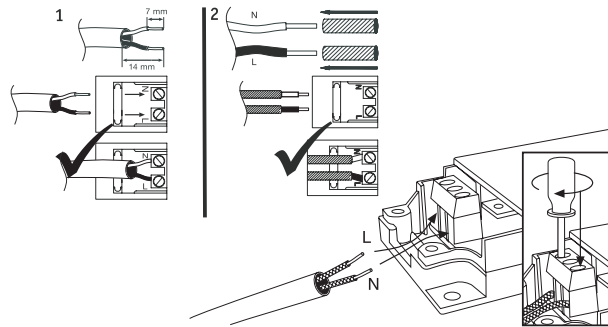
1x



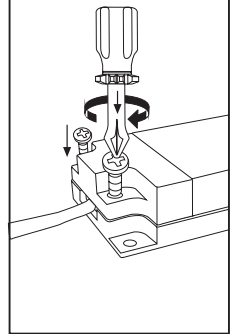
A



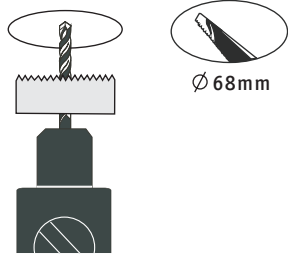
B



C



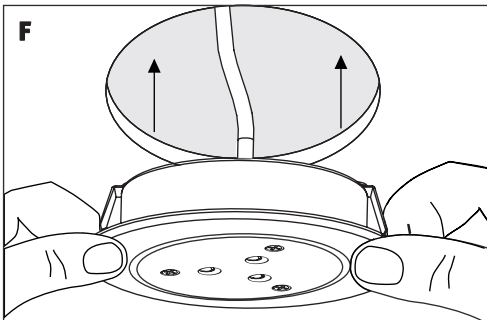
D



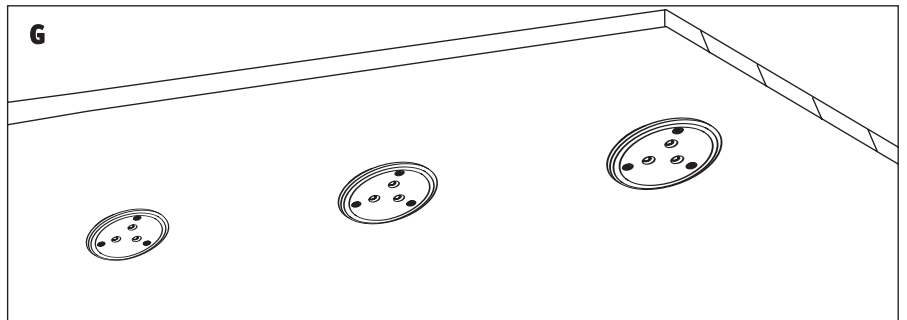
E



F



G



H

