

Safety Instructions



0,1,2,3,4,5b,6,7,8,9,10,11,
12,13,15,16,18,19,20,21,
22,23

Info Hotline 

+49 (0) 5041 998 389

Mon. - Do. 7⁰⁰ - 20⁰⁰

Fr. 7⁰⁰ - 17⁰⁰



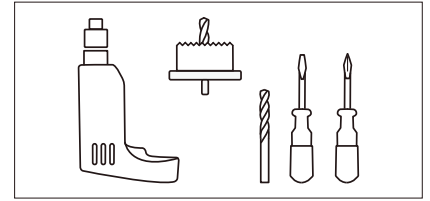
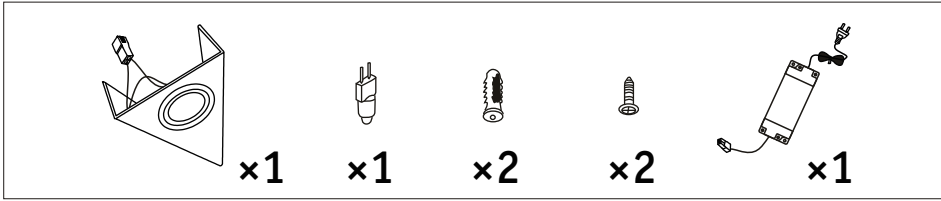
Paulmann Licht GmbH
31832 Springe / Germany
www.paulmann.com

Art.-Nr.:

985.15

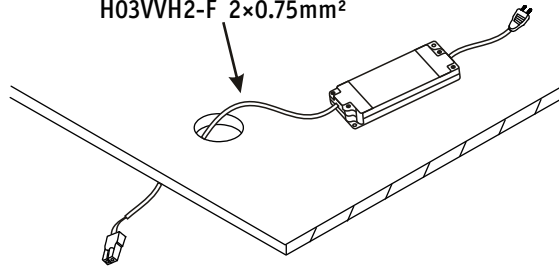
(+MA 173)


PCL 05/09



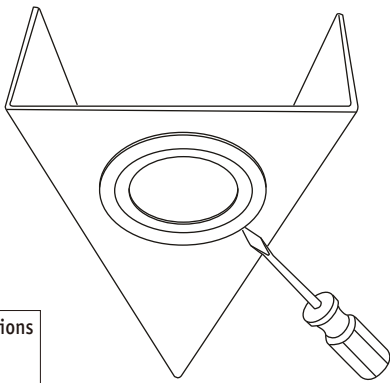
A


H03VVH2-F 2x0.75mm²



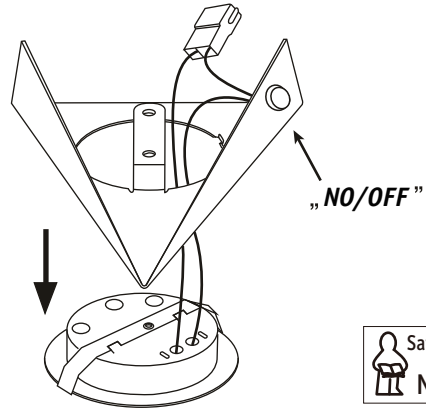
 Safety Instructions
Nr.0,1,2


B



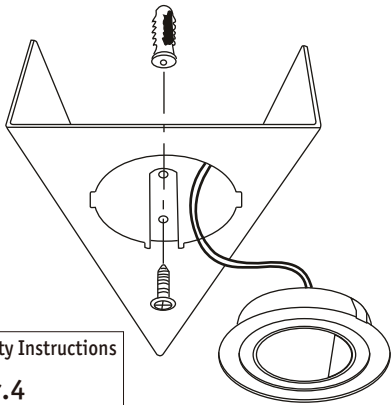
 Safety Instructions
Nr.1,2


C



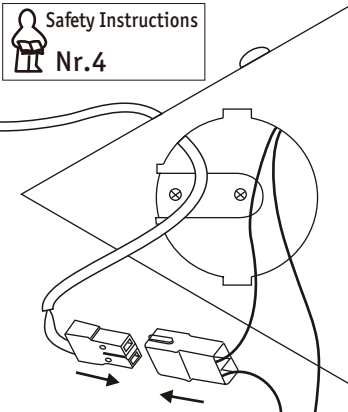
 Safety Instructions
Nr.1,2


D



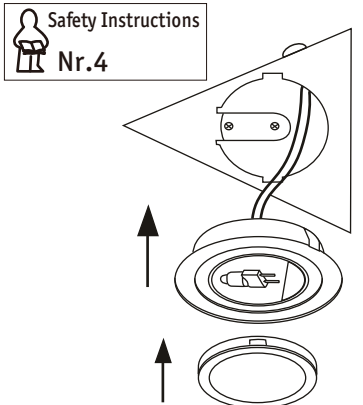
 Safety Instructions
Nr.4

E

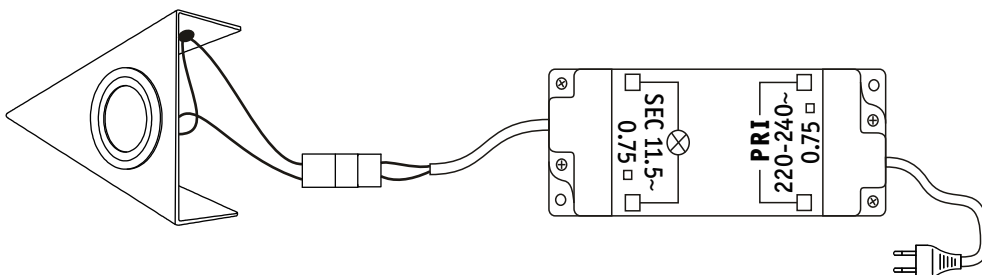


 Safety Instructions
Nr.4

F

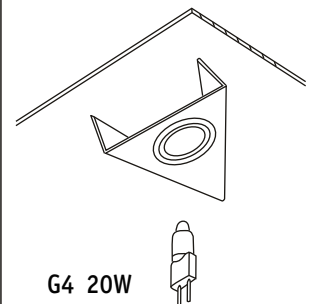



 Safety Instructions
Nr.4



 Safety Instructions
Nr.9

0,5 m



G4 20W 

 **Paulmann**
Art.-Nr.: 831.209