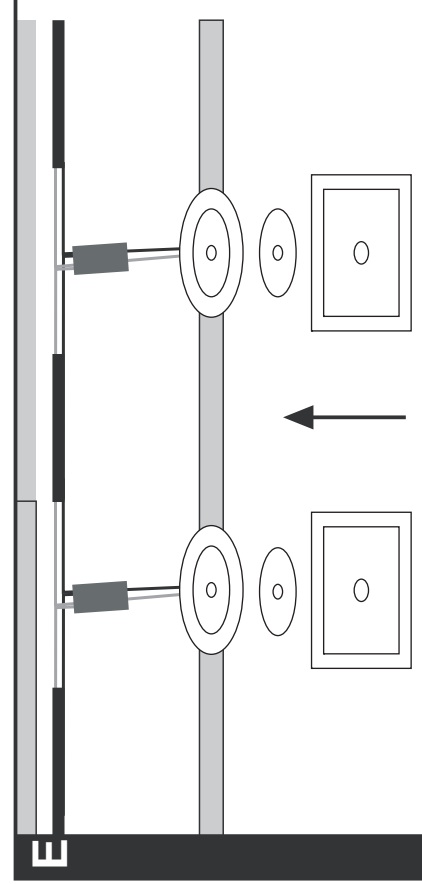
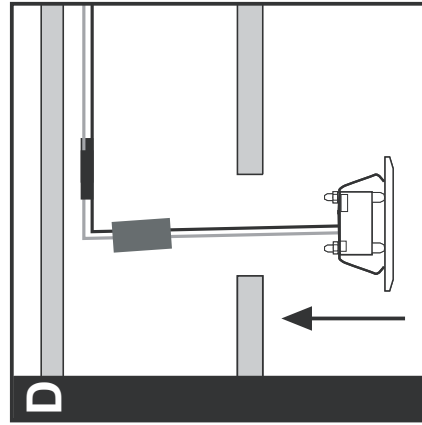
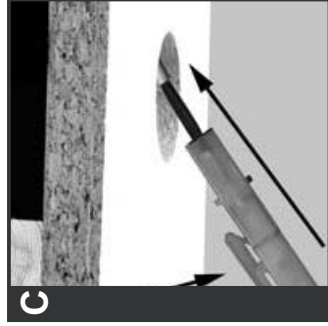
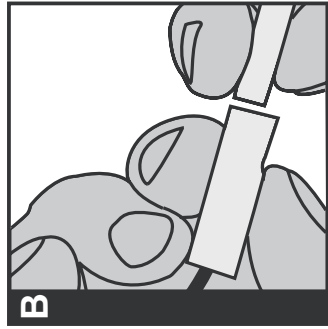
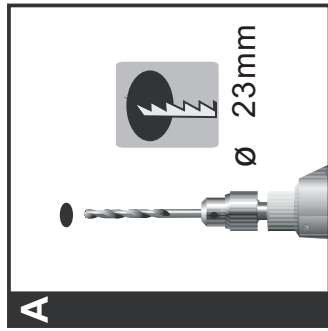
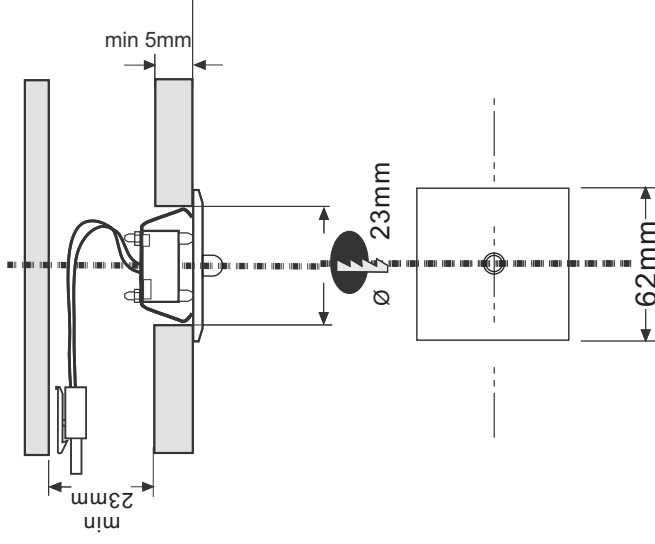
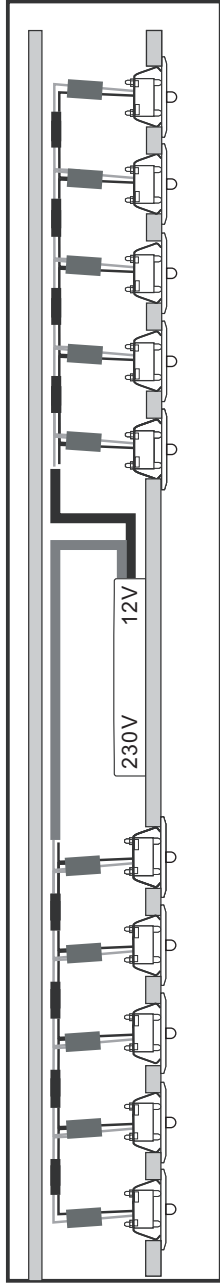


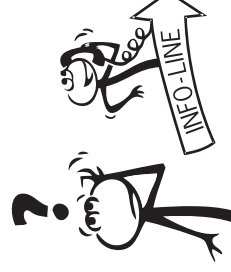
Art-Nr.: 98517
(+MA 173)

Paulmann



Safety Instructions

0, 1, 2, 3, 6, 10, 11, 12, 13, 14, 15,
16, 17, 18, 21, 22



Paulmann Licht GmbH
Quezinger Feld 2
D-31832 Springe
www.paulmann.com

+49 (0) 5041 998 389

Mon.-Do. ☎ 7⁰⁰-20⁰⁰ ☎
Fr. ☎ 7⁰⁰-17⁰⁰ ☎

