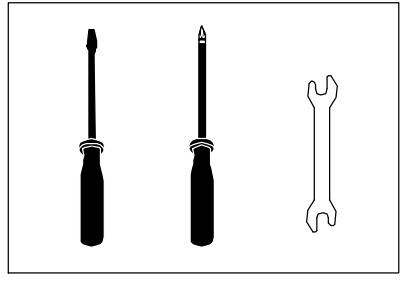
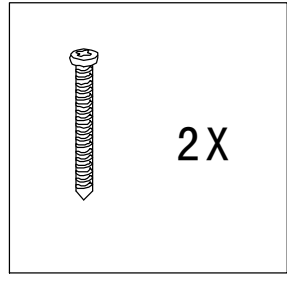
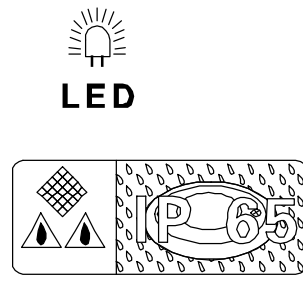
 **Safety Instructions**  
0, 1, 2, 3, 5, 10, 13,  
15, 16, 17, 19, 21,

 **Paulmann Licht GmbH**  
Quezinger Feld 2  
D-31832 Springe  
[www.paulmann.com](http://www.paulmann.com)  
+49 (0) 5041 998 389  
Mon.-Th. ☎ 7<sup>00</sup>-20<sup>00</sup>  
Fr. ☎ 7<sup>00</sup>-17<sup>00</sup>



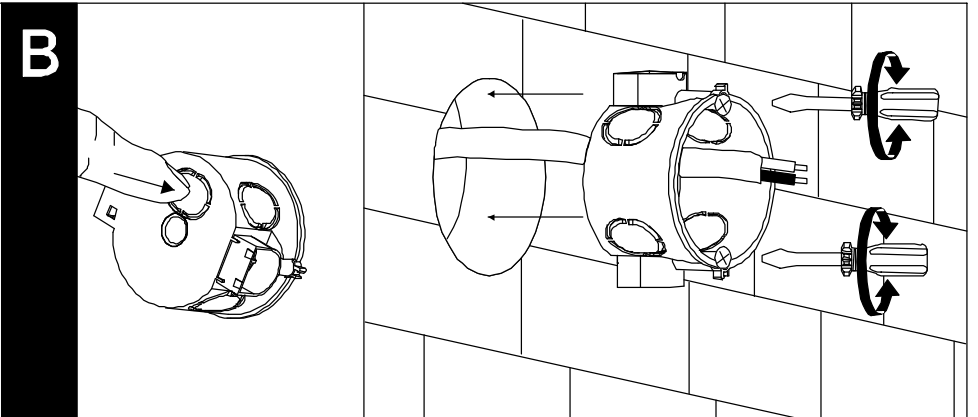
**A**



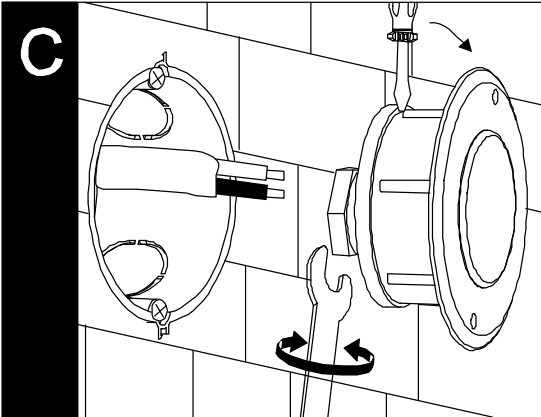
LED

IP65

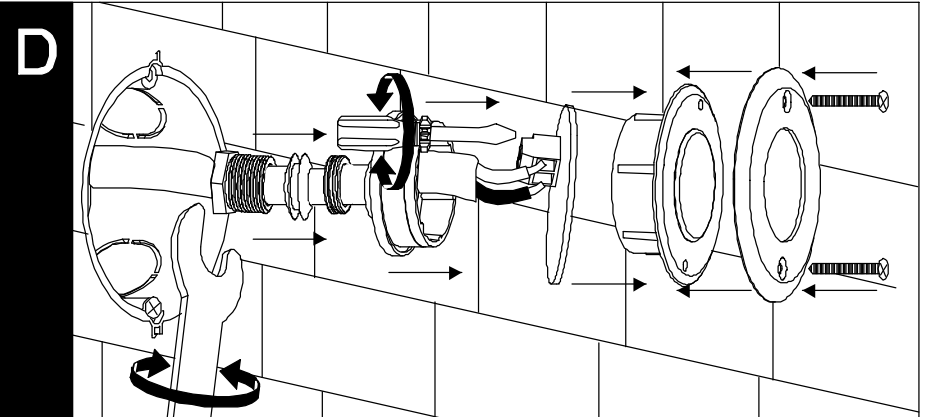
**B**



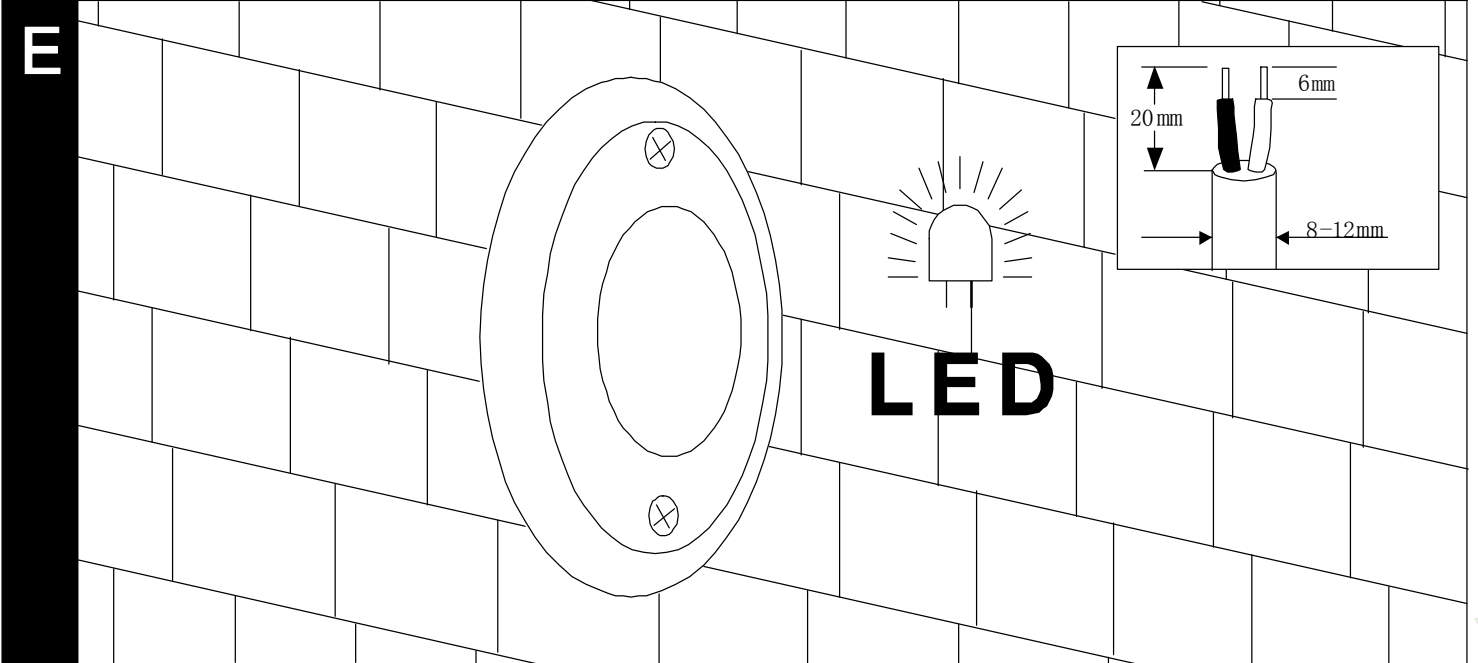
**C**



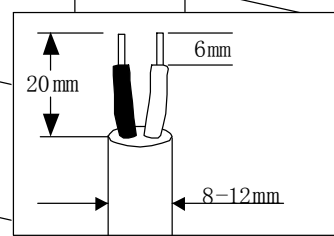
**D**



**E**



LED



20mm

6mm

8-12mm