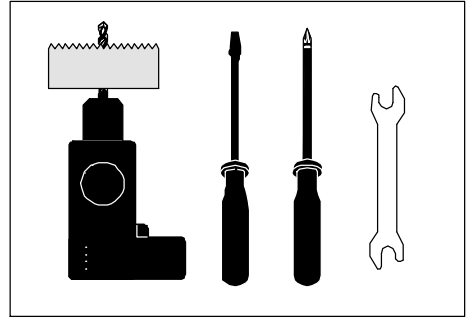
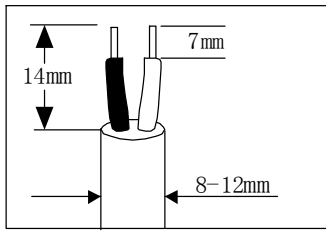


Safety Instructions

0, 1, 2, 3, 5, 10, 13,
15, 16, 17, 19, 21,



Paulmann Licht GmbH
Quezinger Feld 2
D-31832 Springe
www.paulmann.com

☎ +49 (0) 5041 998 389
Mon.-Th. ☎ 7⁰⁰-20⁰⁰
Fr. ☎ 7⁰⁰-17⁰⁰

INFO-LINE

