

# Safety Instructions



0, 1, 2, 3, 4, 6, 7, 8, 10, 15, 18, 25, 26, 27



Info Hotline

+49 (0) 5041 998 389

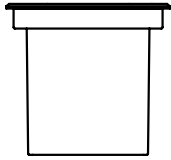
Mon.-Do. 7<sup>00</sup>-20<sup>00</sup>  
Fr. 7<sup>00</sup>-17<sup>00</sup>

Paulmann Licht GmbH  
31832 Springe / Germany  
www.paulmann.com

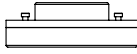
Art.-Nr.:  
98843

(+MA 173)

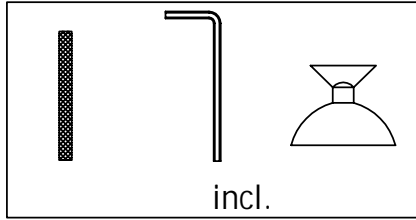
PDG 08/12



1X



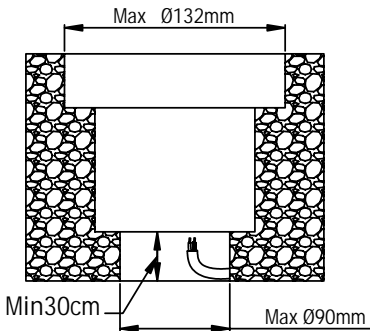
1X



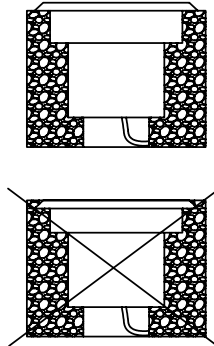
incl.



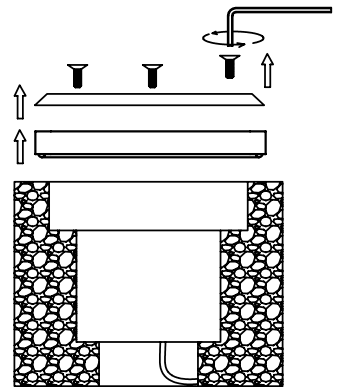
**A** Safety Instructions  
Nr. 0,1,2



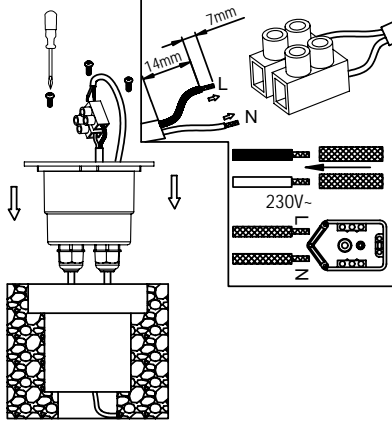
**B** Safety Instructions  
Nr. 0,1



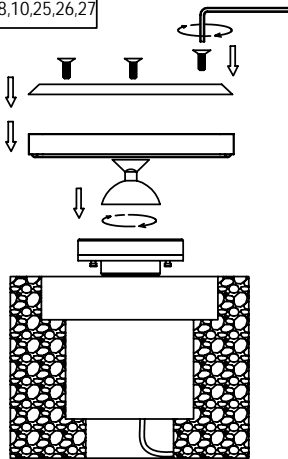
**C**



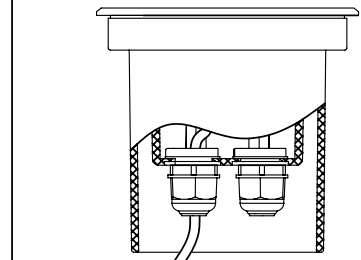
**D** Safety Instructions  
Nr. 0,1,3,4



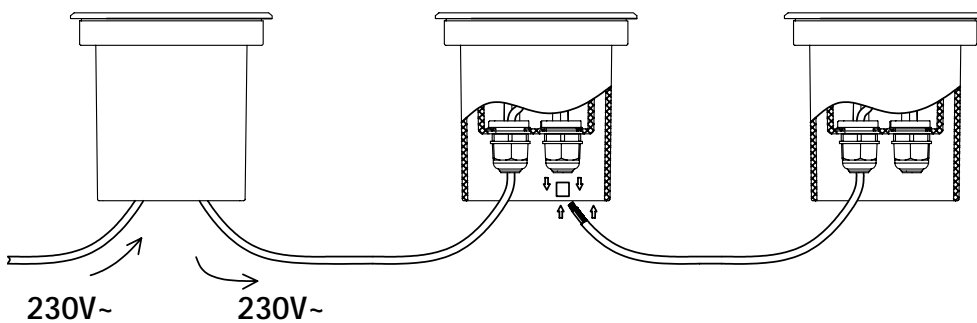
**E** Safety Instructions  
Nr. 7,8,10,25,26,27



**F**



**G**



Art.No.  
7W 2700K GX53 88514

(Max.10)