

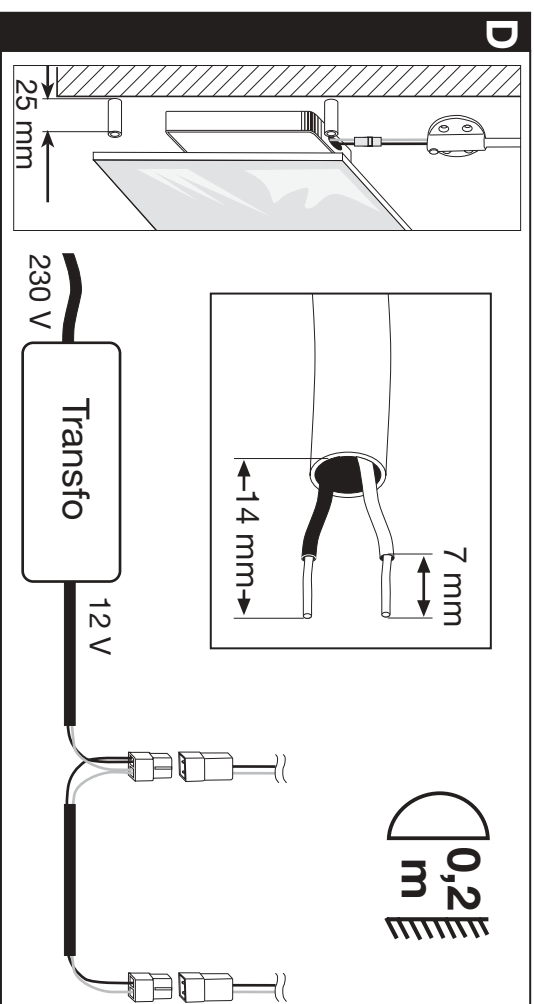
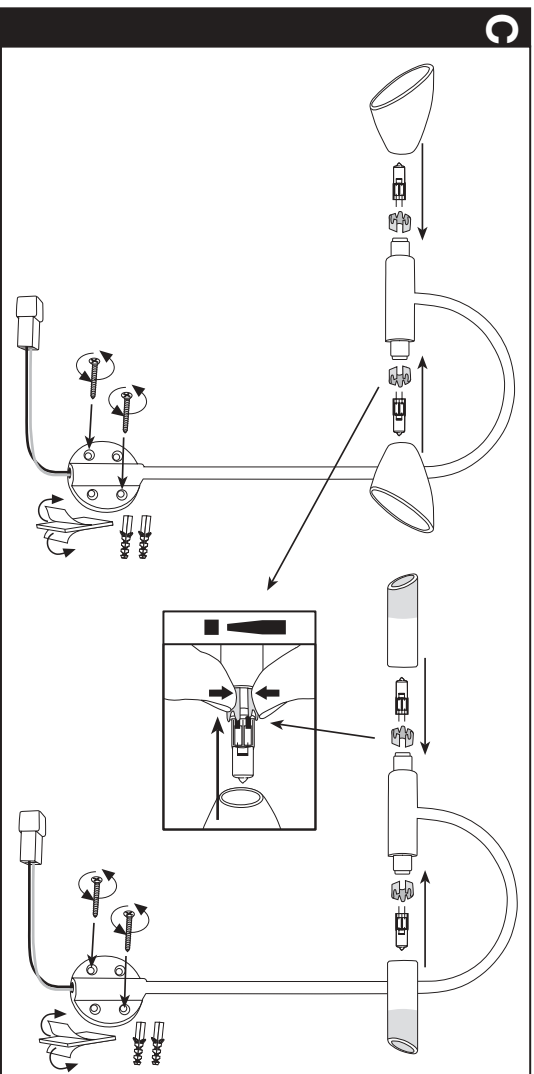
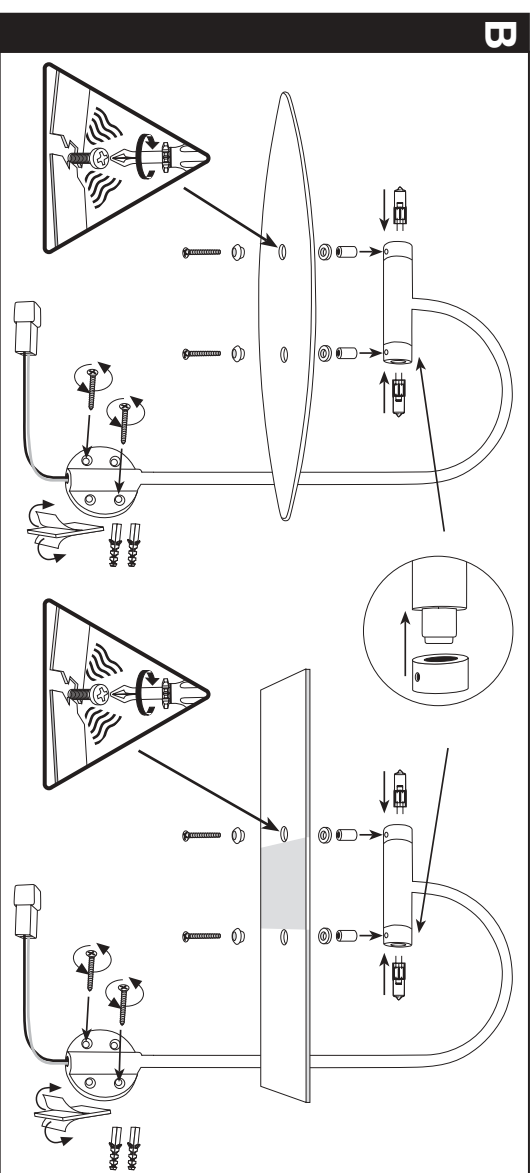
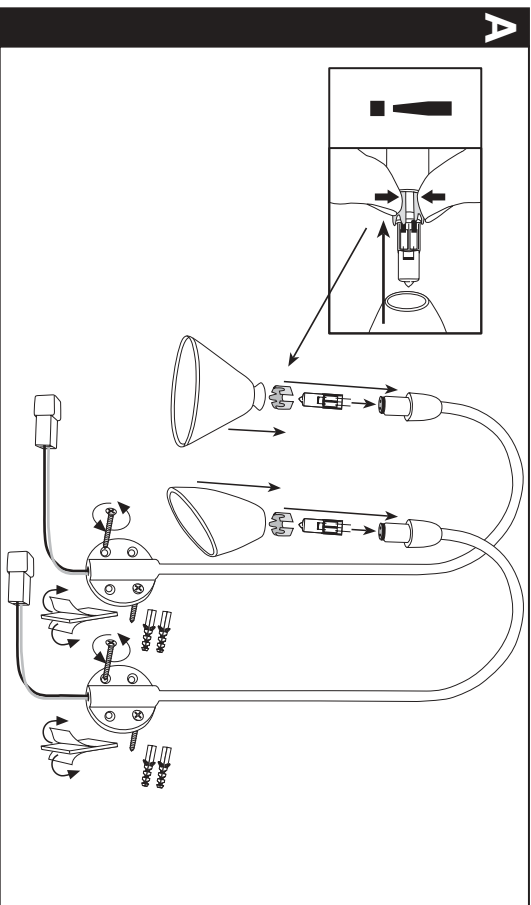
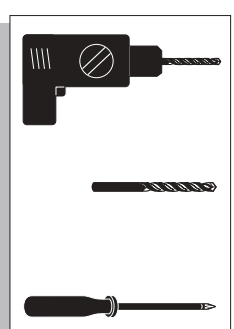
SAFETY INSTRUCTIONS



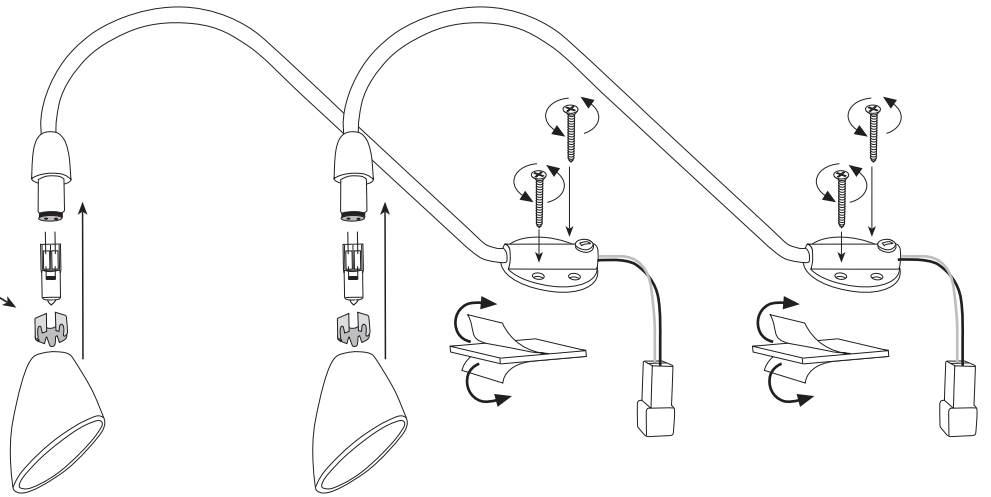
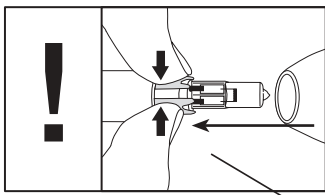
SAFETY INSTRUCTIONS

0, 1, 2, 4, 5b, 7, 8, 9, 11, 12, 15, 16, 20, 21, 22

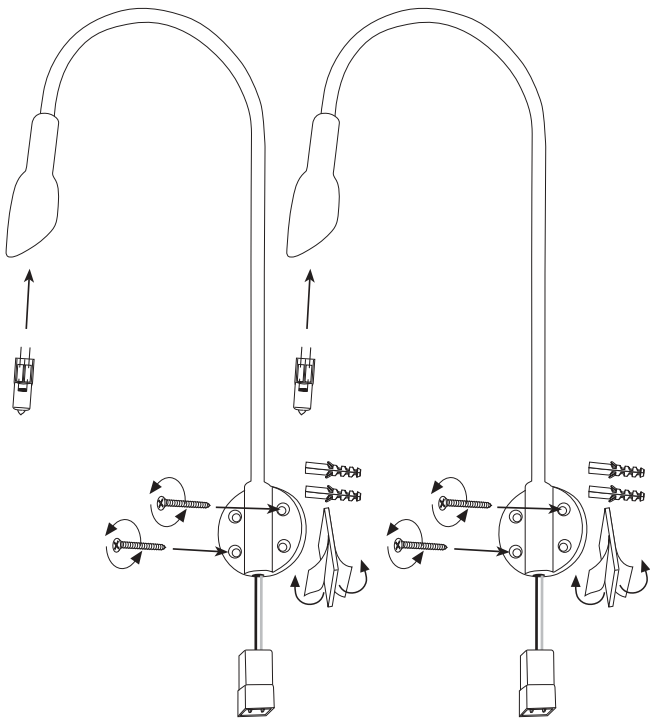
**PAULMANN LICHT GmbH**  
Quezinger Feld 2 • D-31832 Springe  
[www.Paulmann.de](http://www.Paulmann.de)



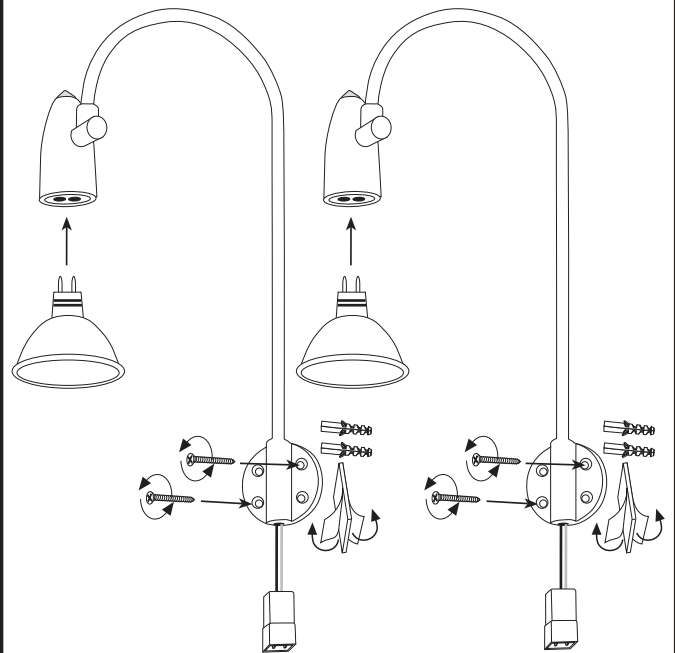
**A**



**B**



**C**



**D**

