



Safety Instructions

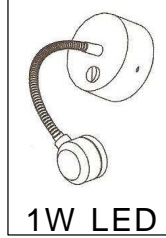
0, 1, 2, 4, 11, 15, 22, 25



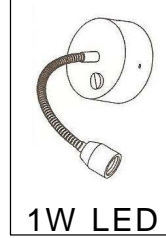
Paulmann Licht GmbH
Quezinger Feld 2
D-31832 Springe
www.paulmann.com

+49 (0) 5041 998 389

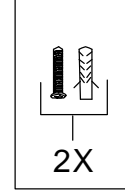
Mon.-Do. ☎ 7⁰⁰-20⁰⁰
Fr. ☎ 7⁰⁰-17⁰⁰



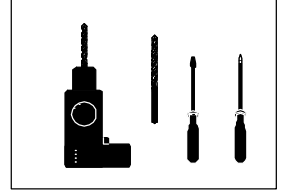
1W LED



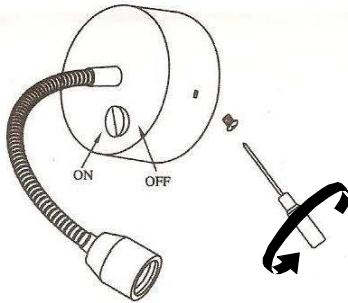
1W LED



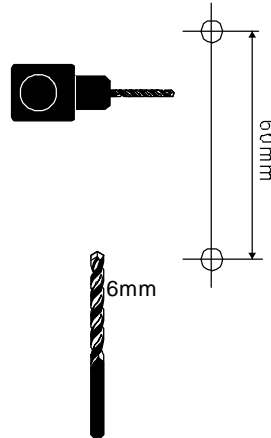
2X



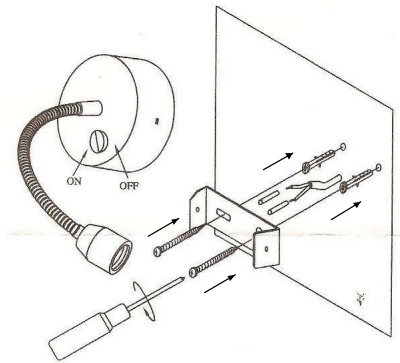
A



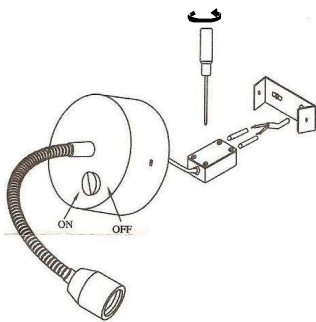
B



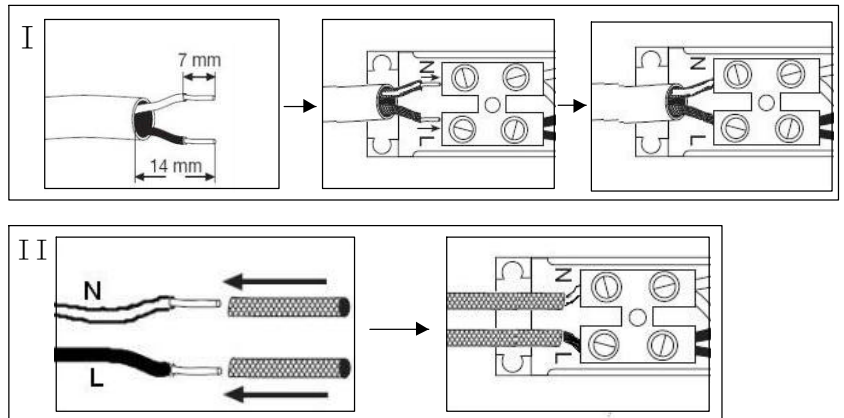
C



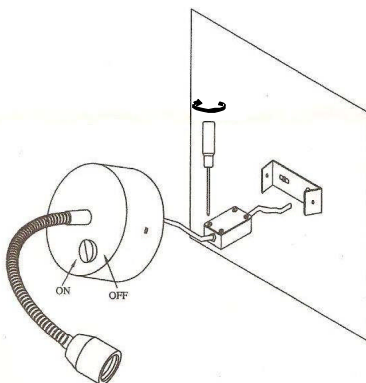
D 1



D 2



D 3



E

