

SAFETY INSTRUCTIONS



SAFETY INSTRUCTIONS

0,1,4,6,7,8,9,11,15,20,22



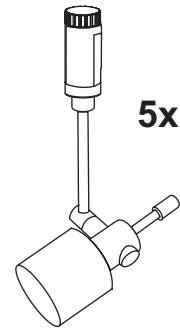
INFO-LINE

PAULMANN LICHT GmbH
Quezinger Feld 2 • D-31832 Springe
www.Paulmann.com

+49 (0) 5041 998 389

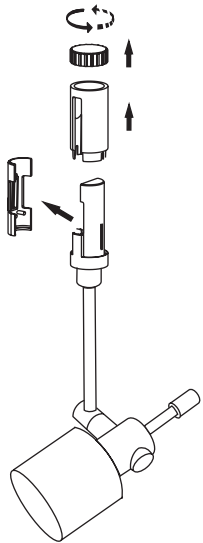
7⁰⁰ - 20⁰⁰

Mon. - Fri.

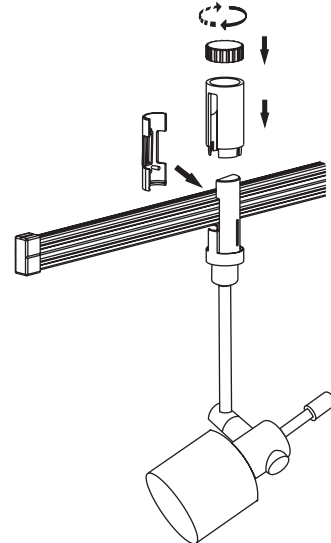


5x

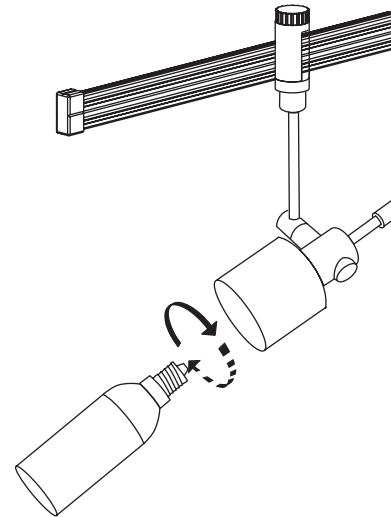
A



B



C



D

