

SAFETY INSTRUCTIONS



SAFETY INSTRUCTIONS

0,1,2,4,6,7,8,9,11,15,20,22

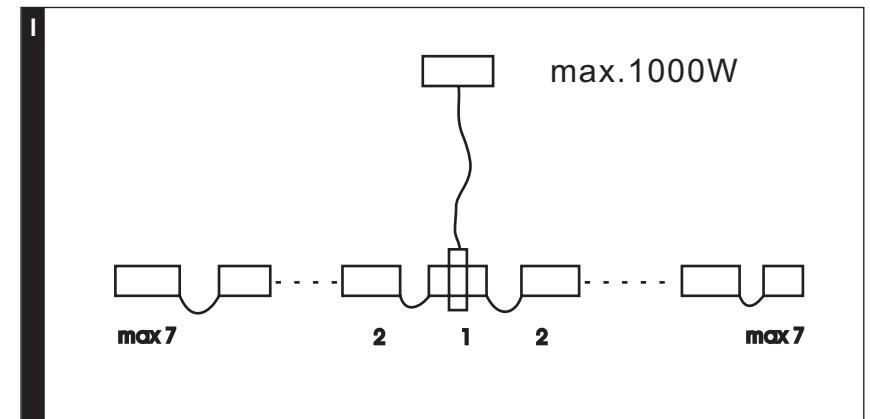
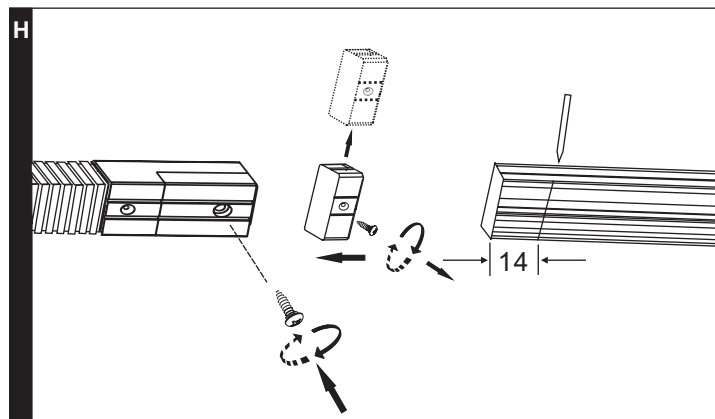
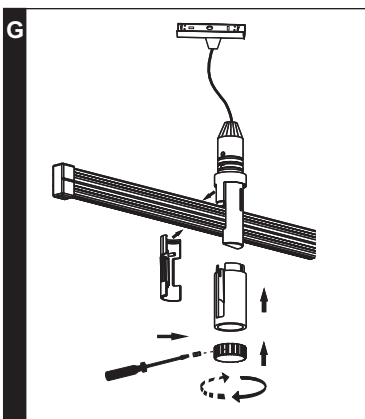
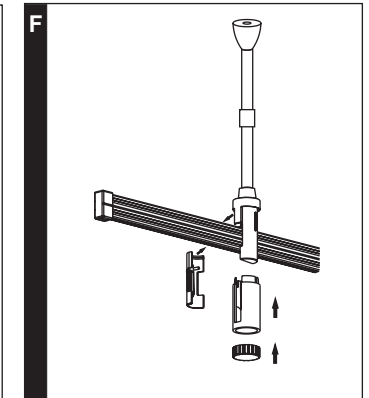
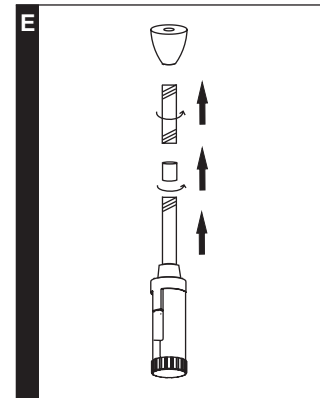
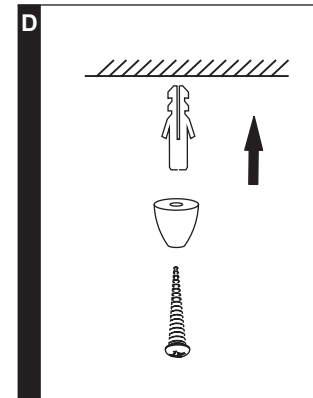
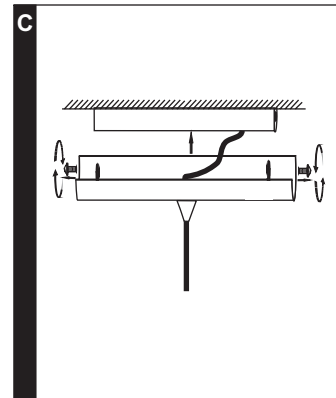
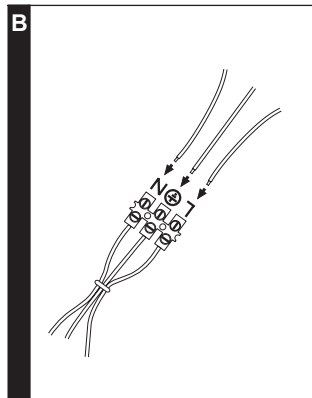
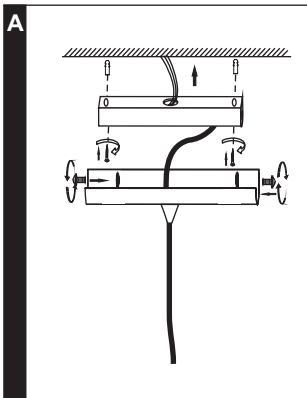
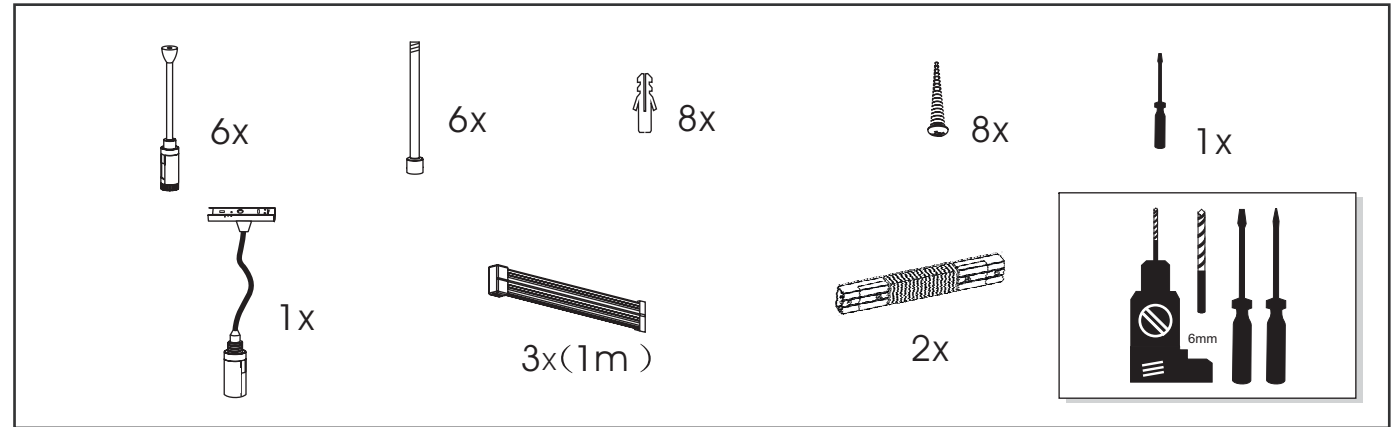


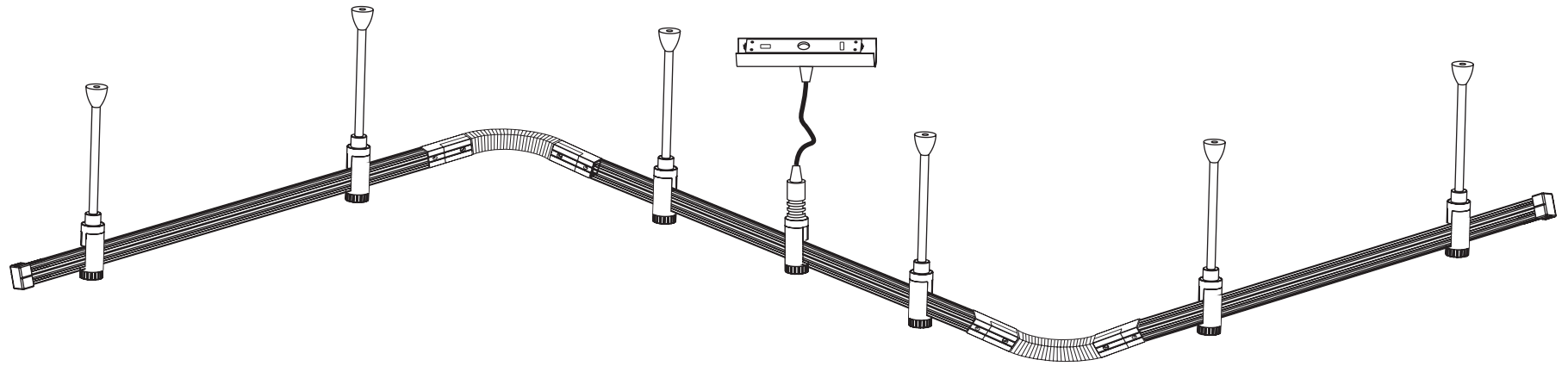
PAULMANN LICHT GmbH  
Quezinger Feld 2 • D-31832 Springe  
[www.Paulmann.com](http://www.Paulmann.com)

+49 (0) 5041 998 389

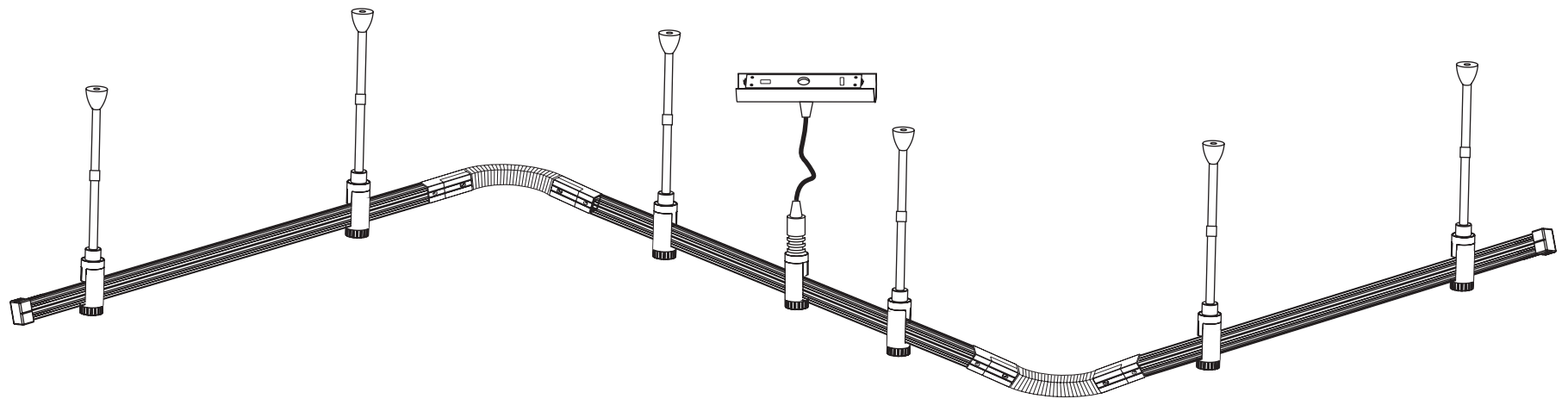
7<sup>00</sup>-20<sup>00</sup>

Mon. - Fri.





I



II

