



Safety Instructions



0, 1, 2, 3, 4, 6, 7, 8, 9, 11, 15,
20, 22, 25, 26, 27, 28



Info Hotline



+49 (0) 5041 998 389

Mon. - Do. 7⁰⁰ - 20⁰⁰

Fr. 7⁰⁰ - 17⁰⁰

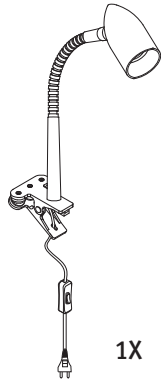


Paulmann Licht GmbH
31832 Springe / Germany
www.paulmann.com

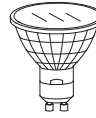
Art.-Nr.:
99823

(+MA 173)

PEA 09/09

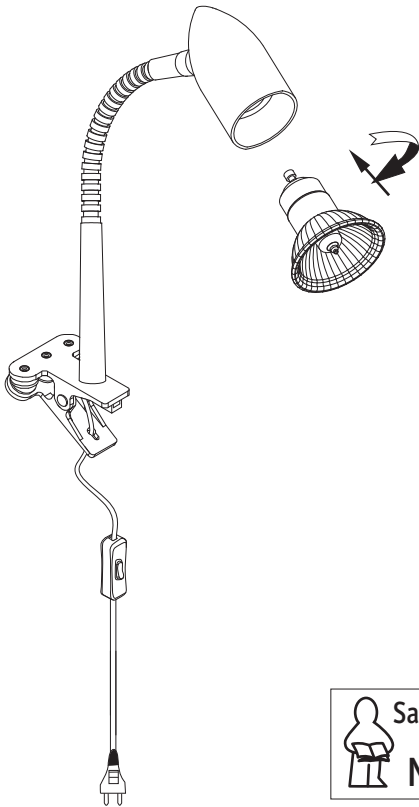


1X



1X

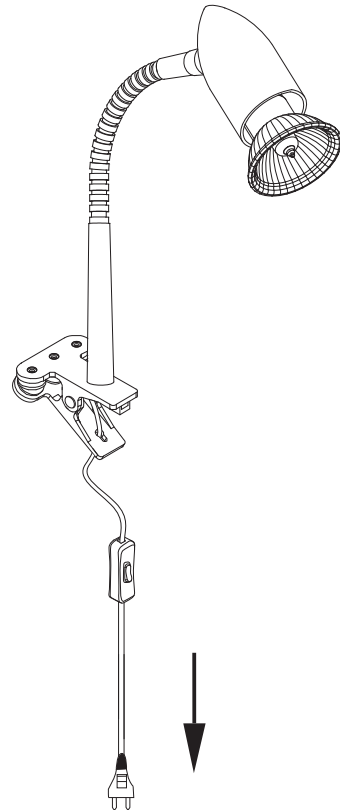
A



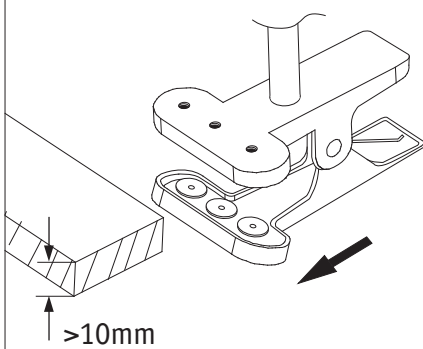
Safety Instructions

Nr.9

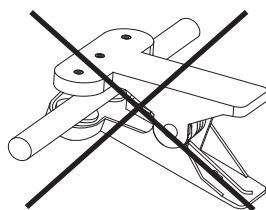
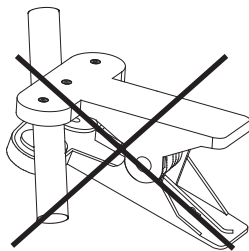
C



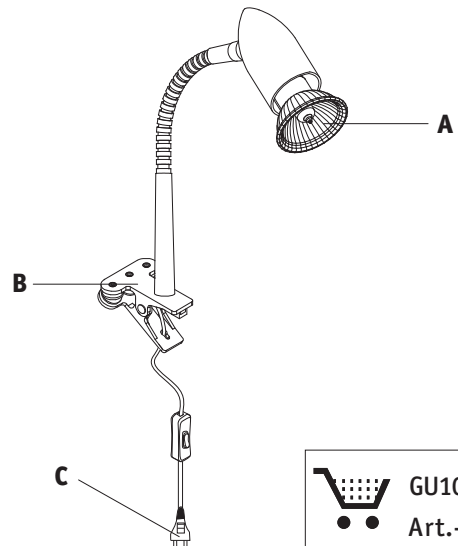
B



>10mm



D



GU10 35W

Art.-Nr.:836.07