



# Safety Instructions



6, 7, 8, 9, 11, 15, 18, 20,  
22, 26, 27

Info Hotline

+49 (0) 5041 998 389

Mon. - Do. 7<sup>00</sup> - 20<sup>00</sup>

Fr. 7<sup>00</sup> - 17<sup>00</sup>

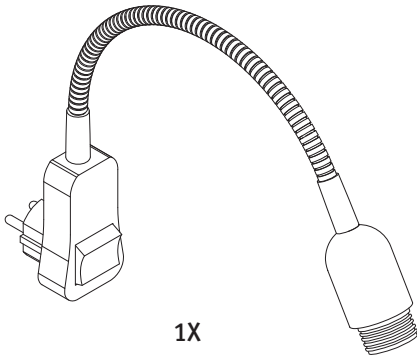


Paulmann Licht GmbH  
31832 Springe / Germany  
www.paulmann.com

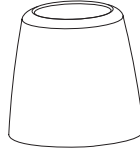
Art.-Nr.:  
**99830**

(+MA 173)

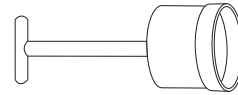
PEA 09/09



1X

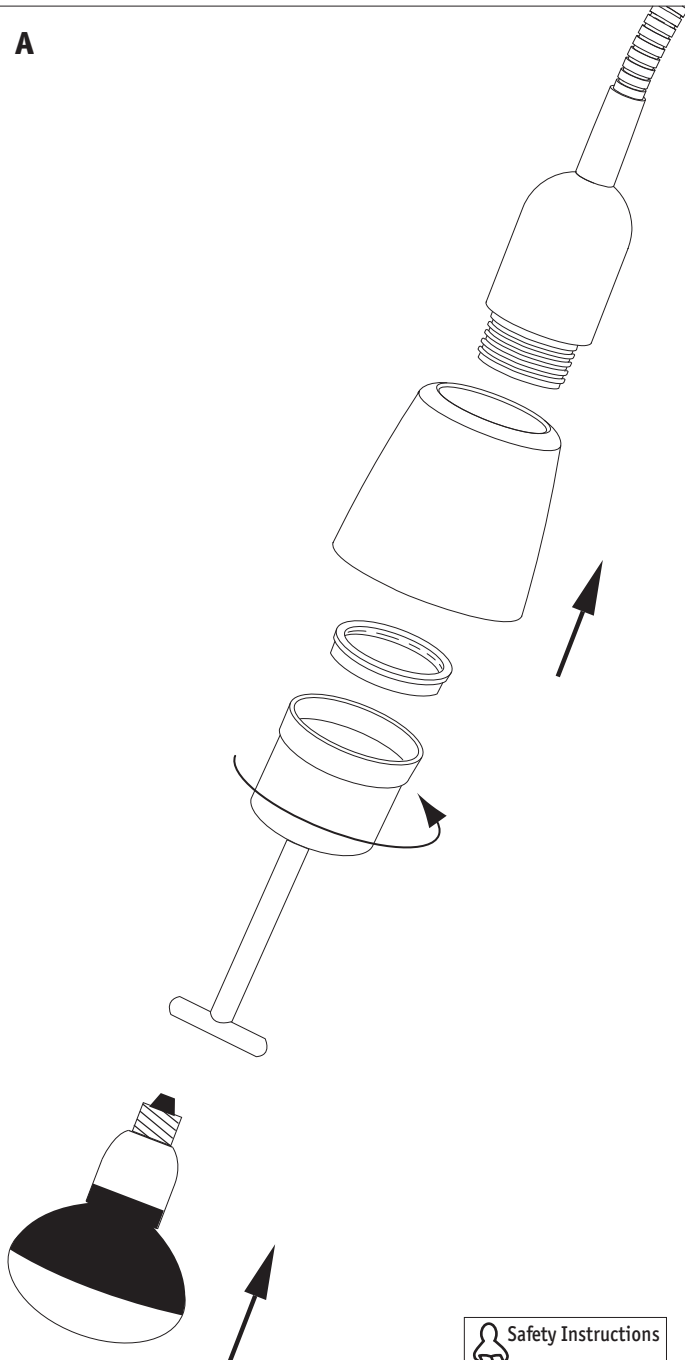


1X



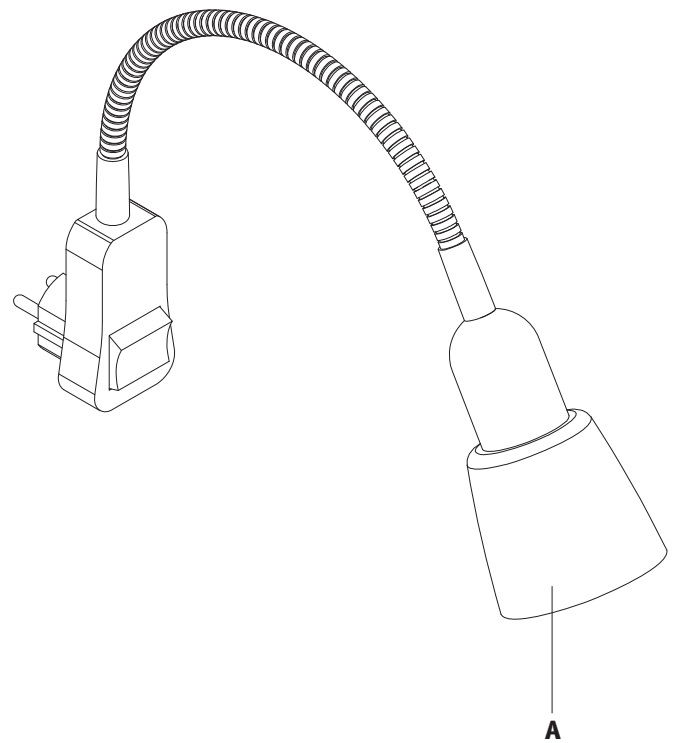
1X

**A**



Safety Instructions  
Nr. 7, 8, 9

**B**



E14 40W  
Art.-Nr.:200.10